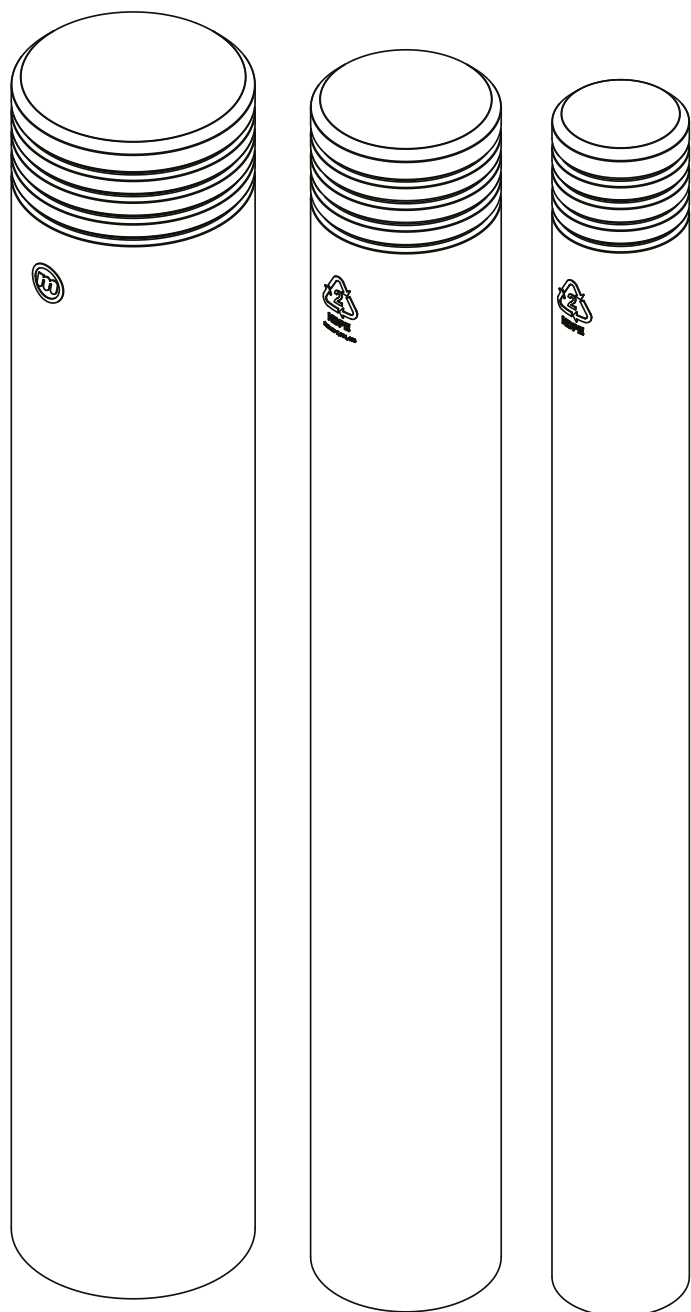


Axellent Assembly instructions

» **FlexCore Bollard** Concrete anchor installation

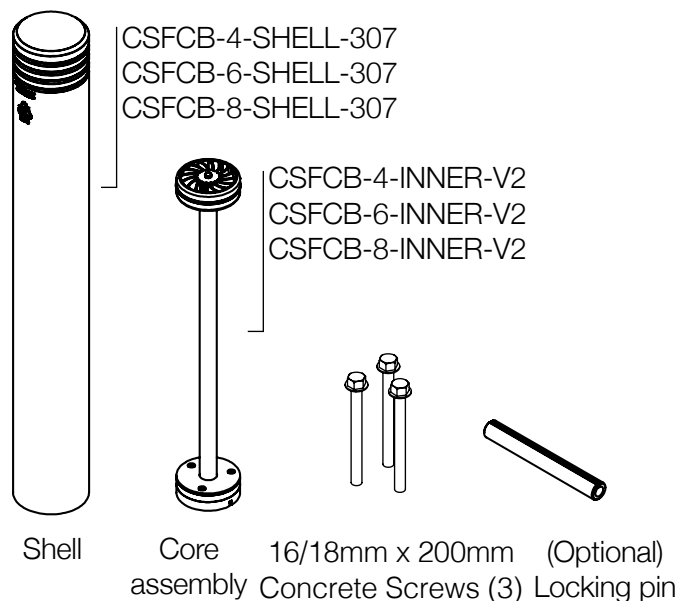


FlexCore
HEAVY DUTY
M011-137-023
(233x1372mm)

FlexCore
MEDIUM
M011-137-018
(182x1372mm)

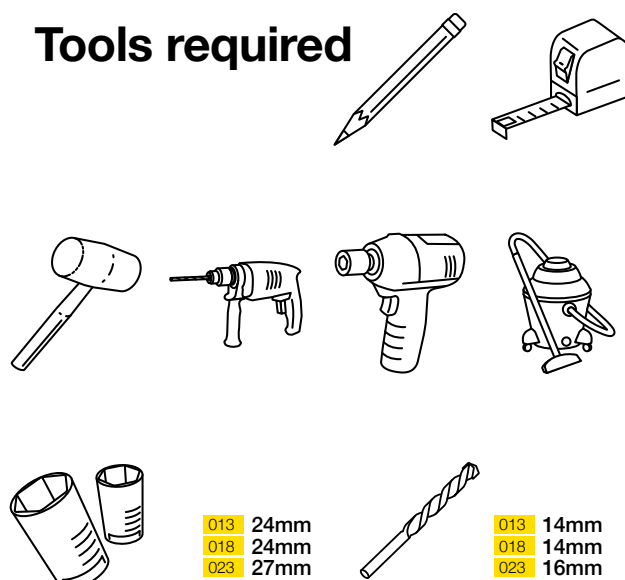
FlexCore
LIGHT
M011-137-018
(131x1372mm)

Components



*Some components included within "M" bundles.

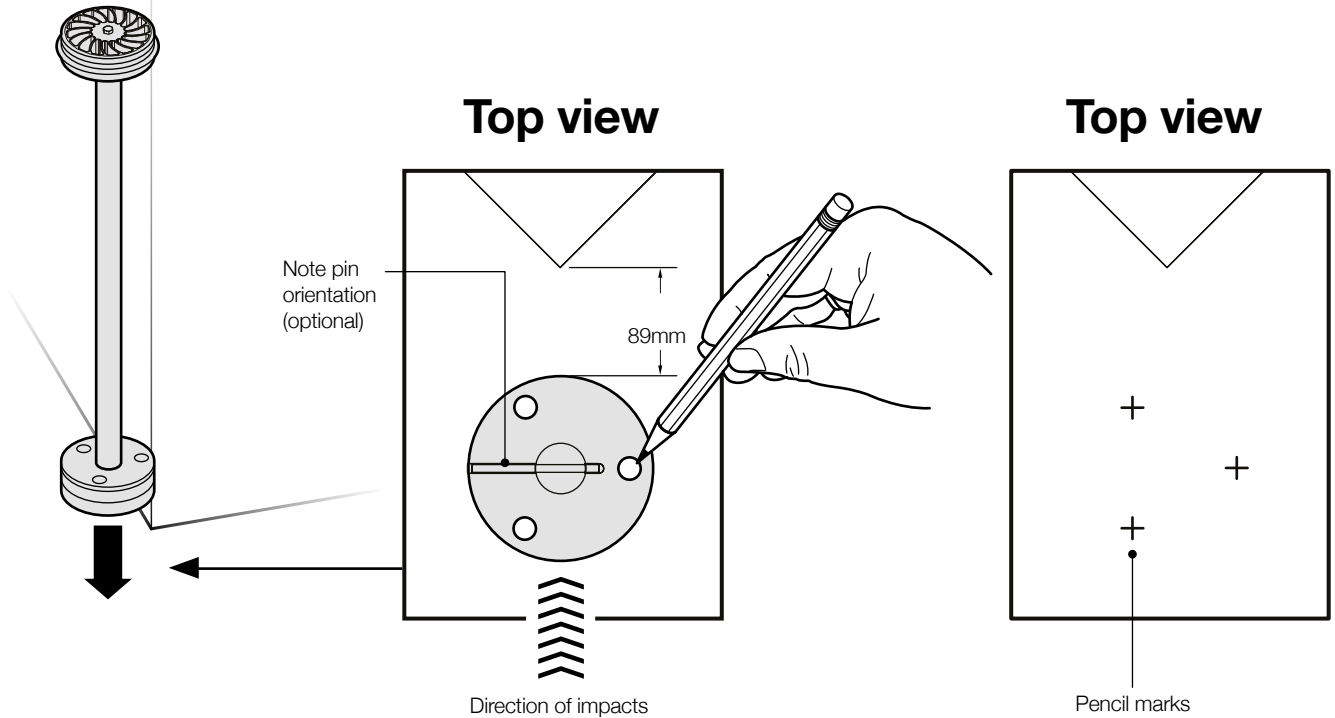
Tools required



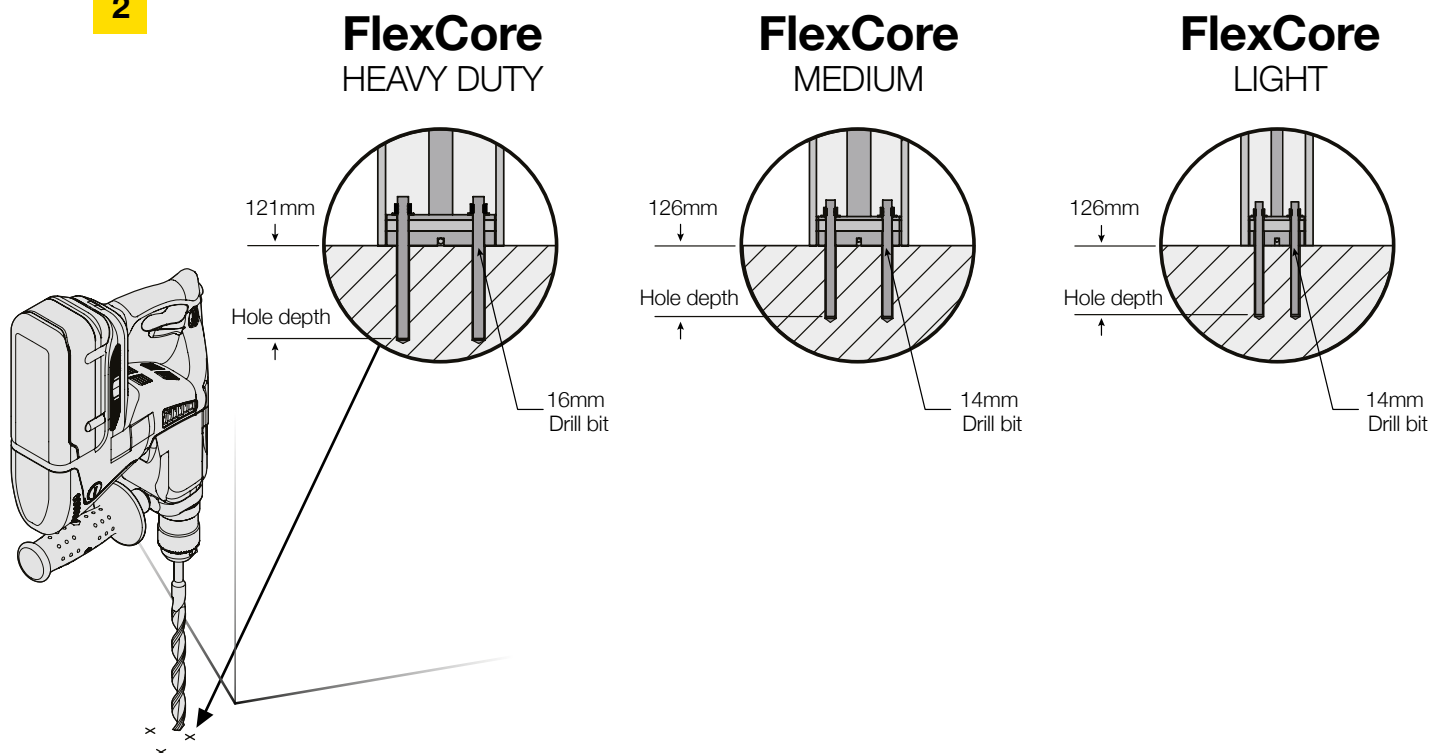
Axellent Assembly instructions

» **FlexCore Bollard** Concrete anchor installation

1



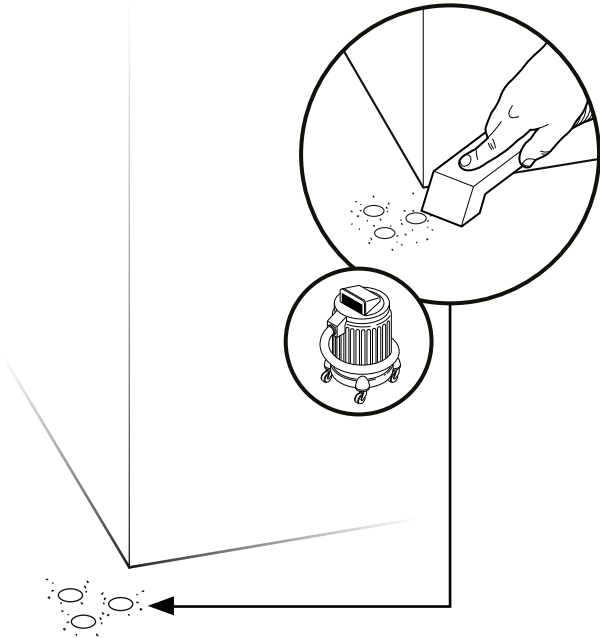
2



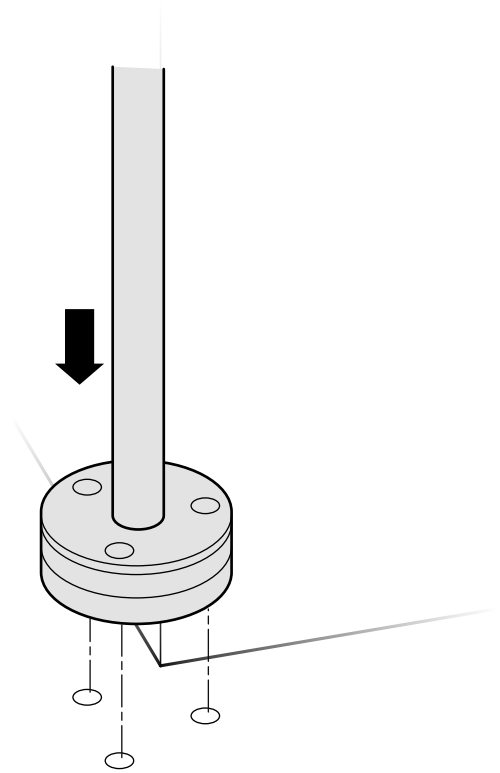
Axelent Assembly instructions

» FlexCore Bollard Concrete anchor installation

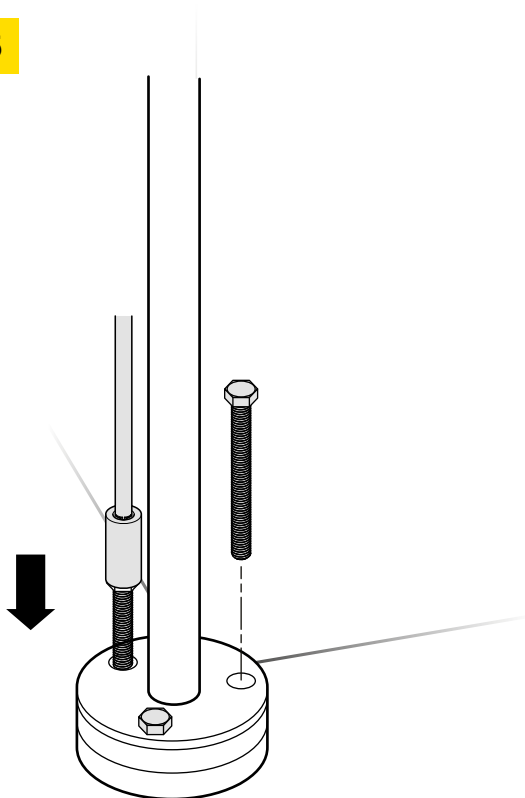
3



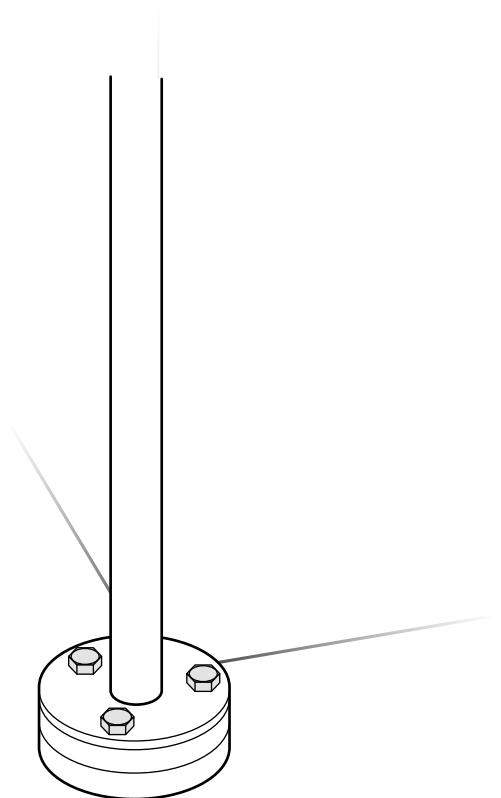
4



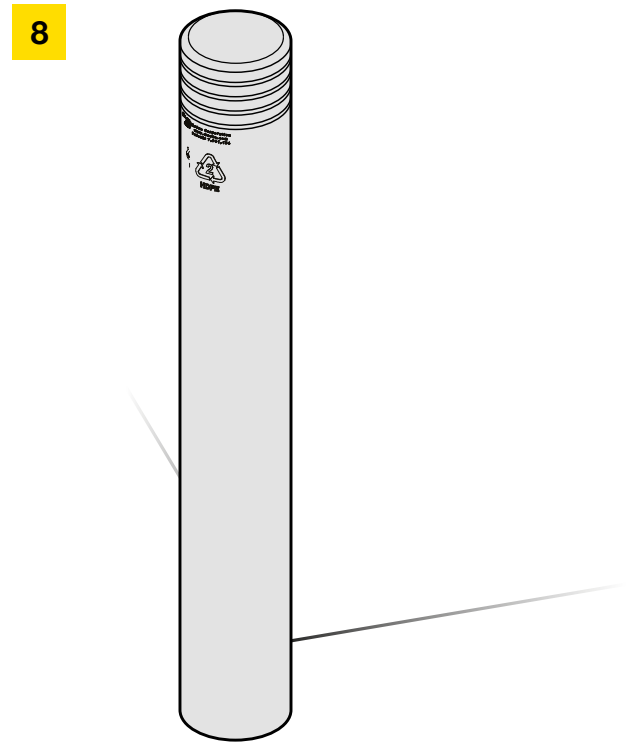
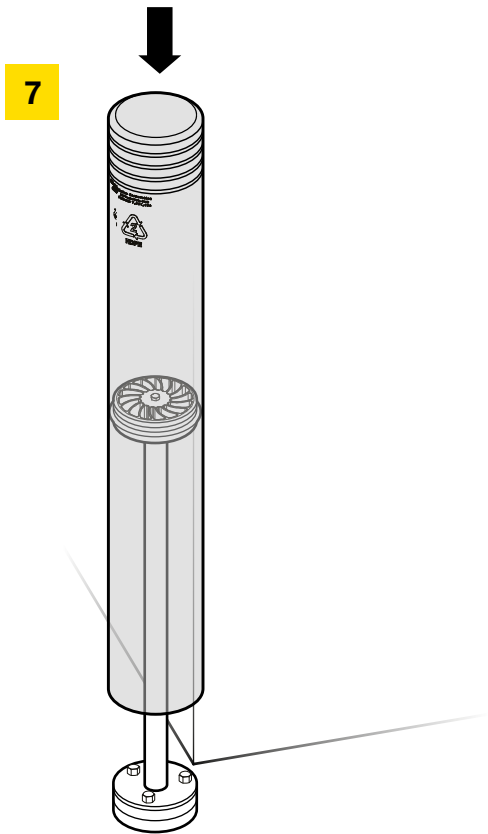
5



6



Axelent Assembly instructions



9 Optional pin

