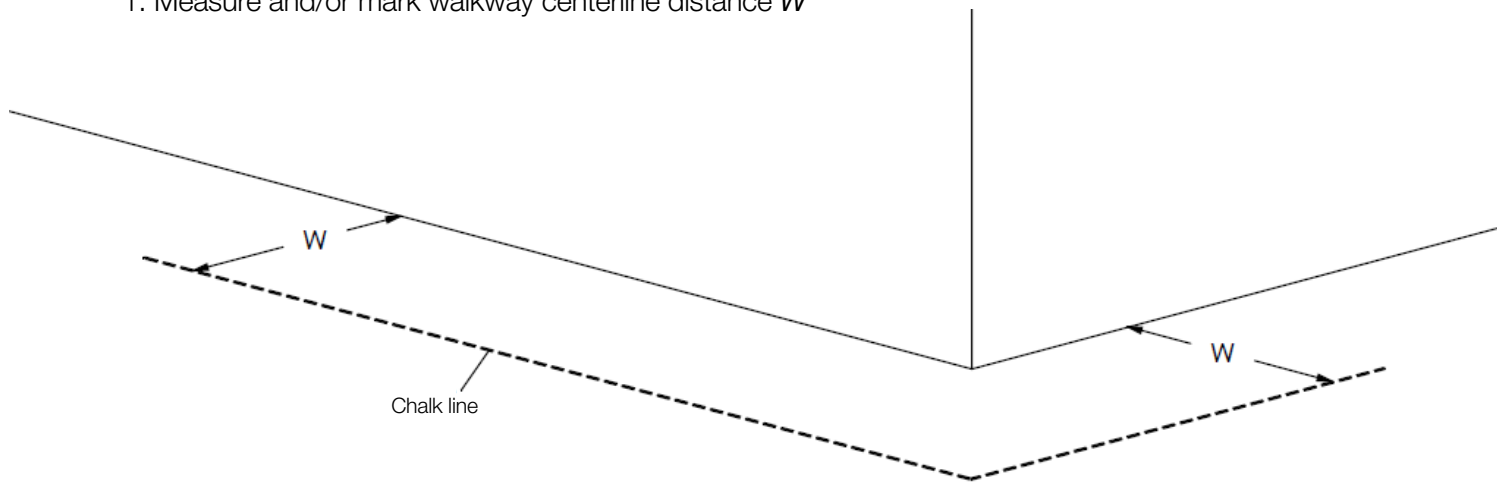


Axelent Assembly instructions

» Pedestrian Barrier

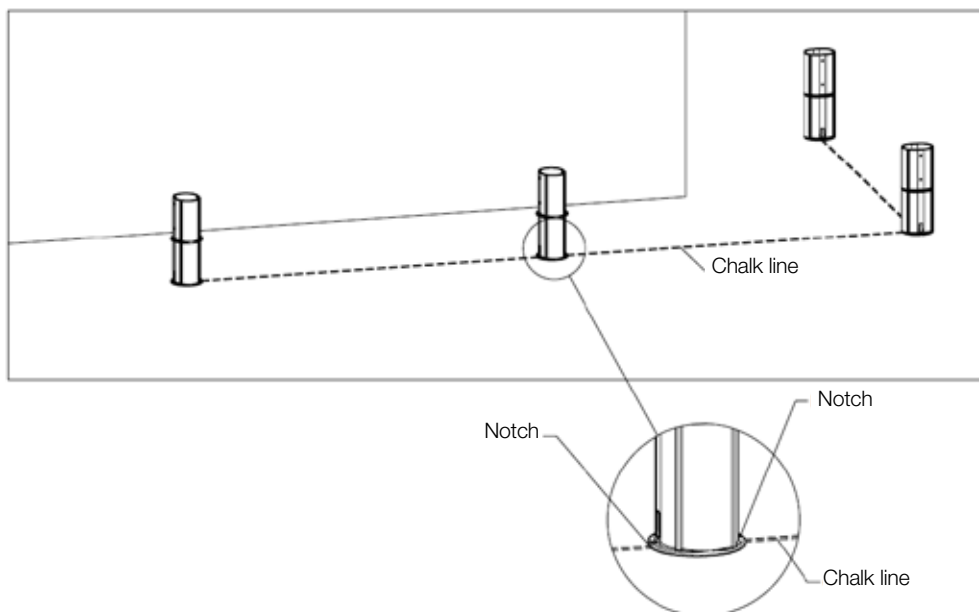
1. Measure and/or mark walkway centerline distance W



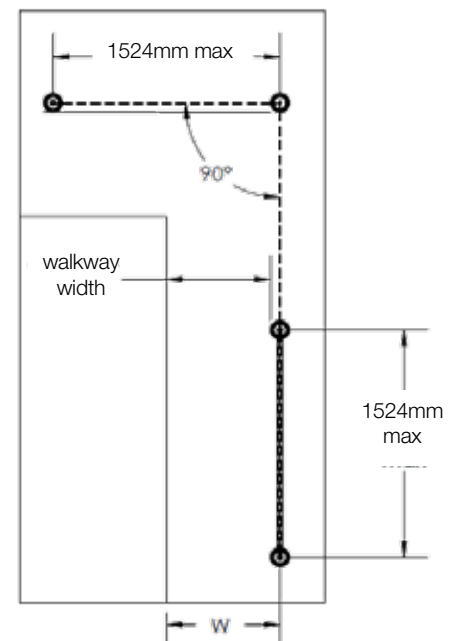
$W = \text{walkway width} + 730\text{mm}$

Chalk line should mark center of walkway perimeter line.

2. Arrange cores. Mark drill location. Note notch orientation.

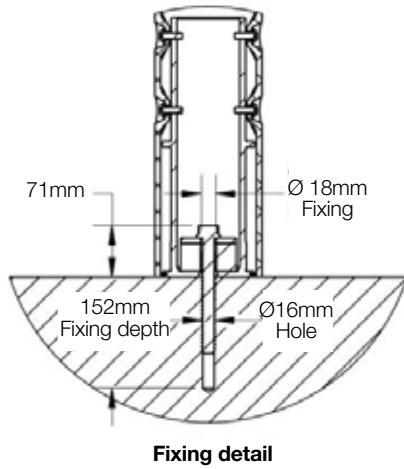


TOP VIEW

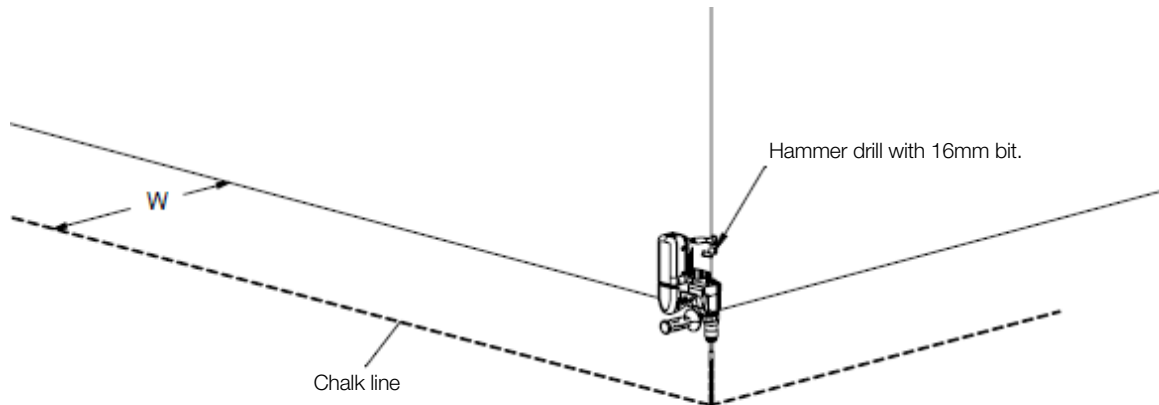


Axelent Assembly instructions

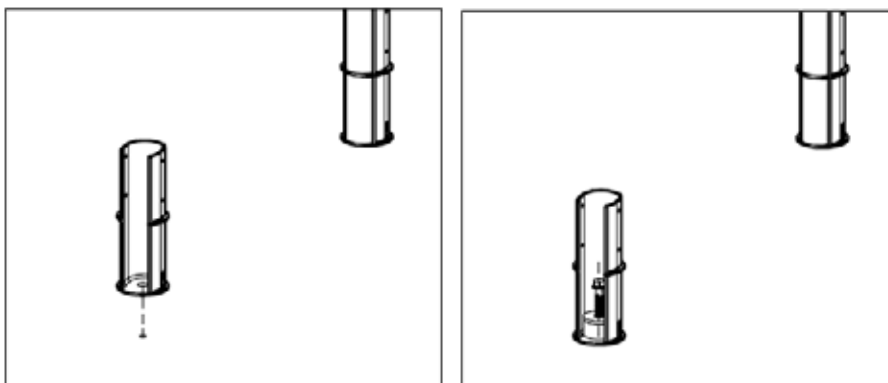
3. Drill 16mm diameter holes, 152mm deep. Finish by cleaning holes with a wire brush and/or vacuum cleaner.



Hammer drill with 16mm drill bit.

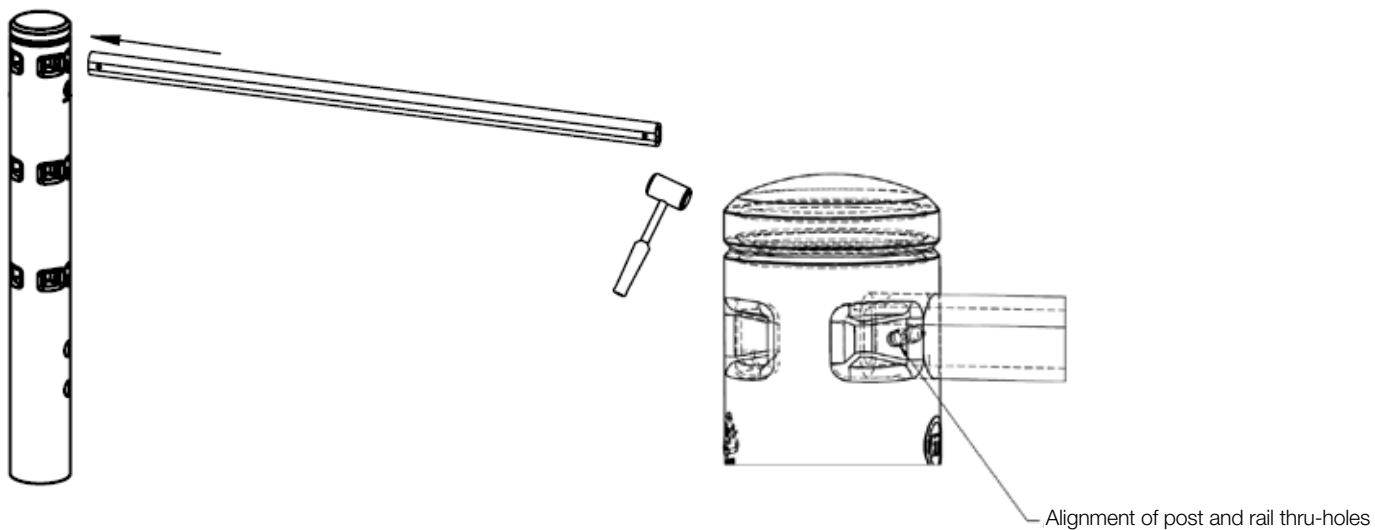


4. Fasten cores to the floor using an impact driver with a 27mm socket to tighten concrete anchors.

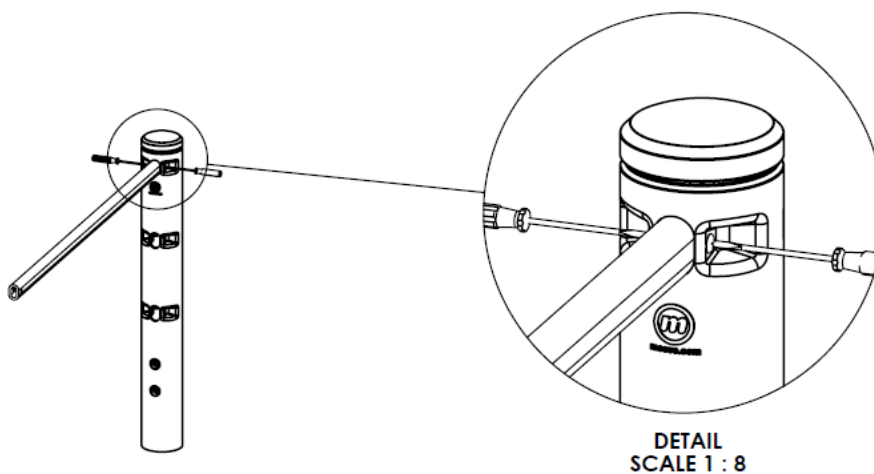
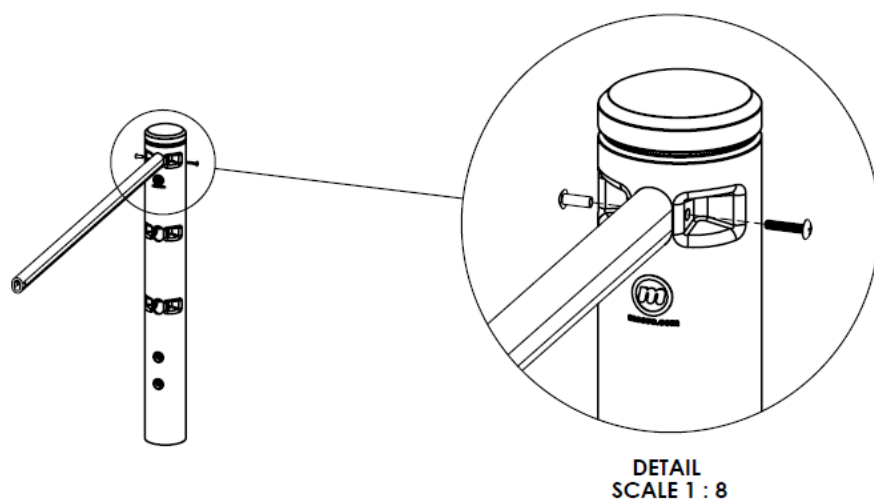


Axelent Assembly instructions

5. Assemble posts and rails.



a) Insert and press fit railing into slotted hole of post using a mallet.



b) Insert sex bolts through rail and post holes, securing rail to post. Tighten fixings using two screwdrivers.

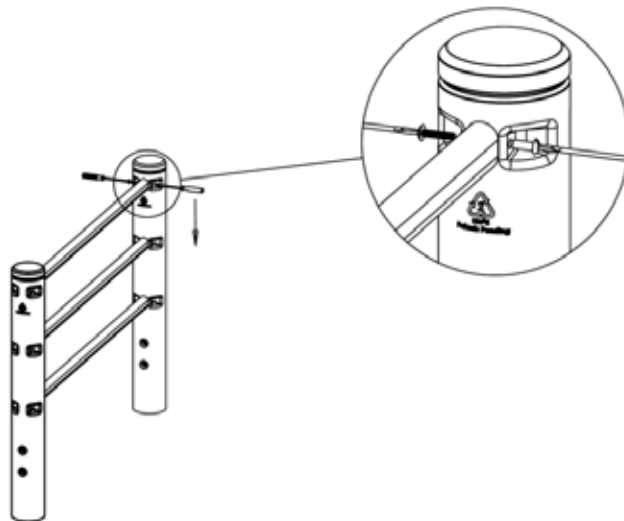
Axellent Assembly instructions



c) Repeat for all rails in Pedestrian Barrier Segment.

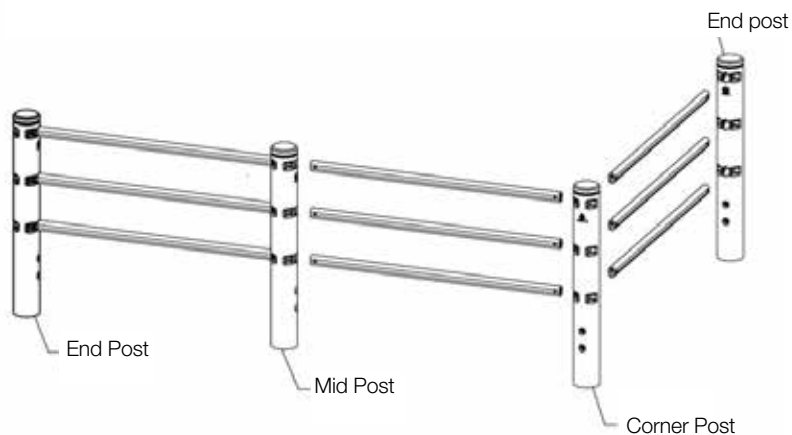


d) Tap next post in sequence onto rails.



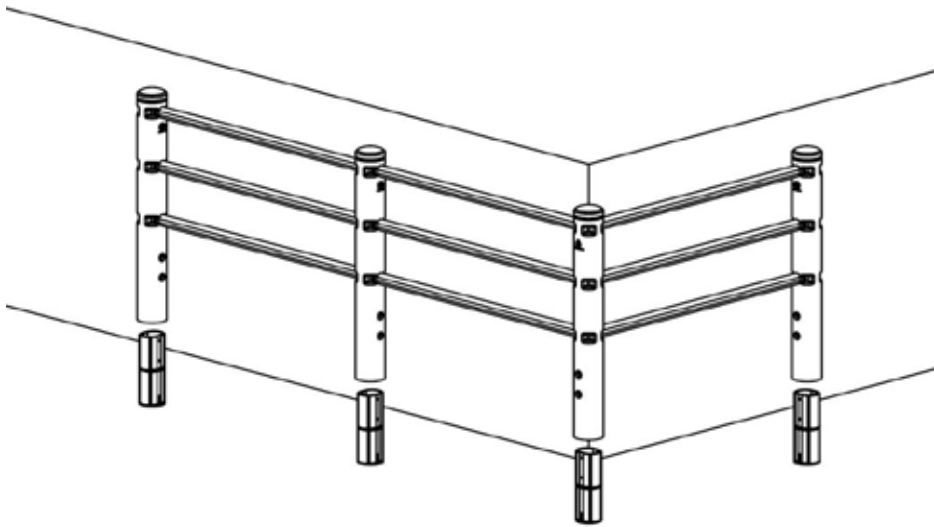
e) Fasten post to rails in segment, inserting sex bolts through rail and post and tightening.

f) Repeat for each segment.



Axelent Assembly instructions

6) Lift post assembly over and onto cores.



7) Fasten posts to cores. First, ensure that posts and cores are aligned.

