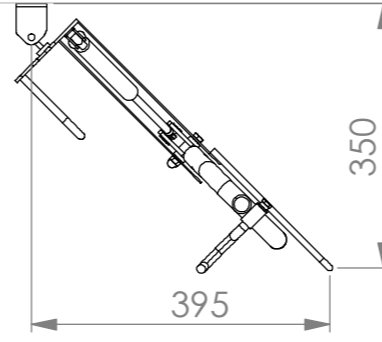
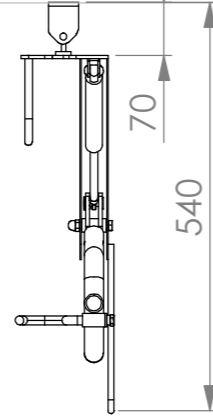
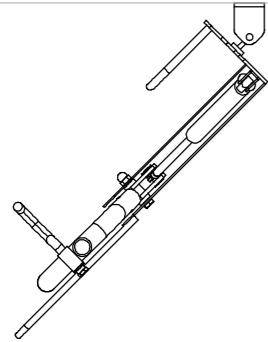


Vinklad åt vänster

Rak position

Vinklad åt höger



UNLESS OTHERWISE SPECIFIED: DIMENSIONS ARE IN MILLIMETERS SURFACE FINISH: TOLERANCES: LINEAR: ANGULAR:				FINISH:		DEBURR AND BREAK SHARP EDGES		DO NOT SCALE DRAWING		REVISION	
DRAWN				NAME		SIGNATURE		DATE		TITLE:	
CHK'D											
APPVD											
MFG											
Q.A								MATERIAL:		DWG NO.	
								WEIGHT:		Bike Lift med Gångjärn	
								SCALE:1:10		A3	
										SHEET 1 OF 1	