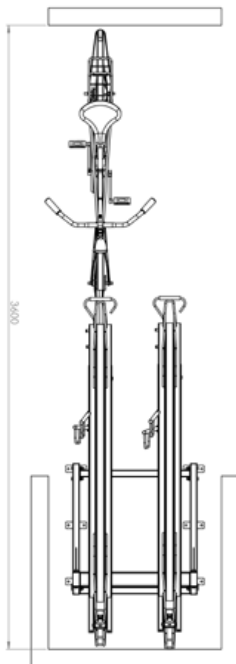
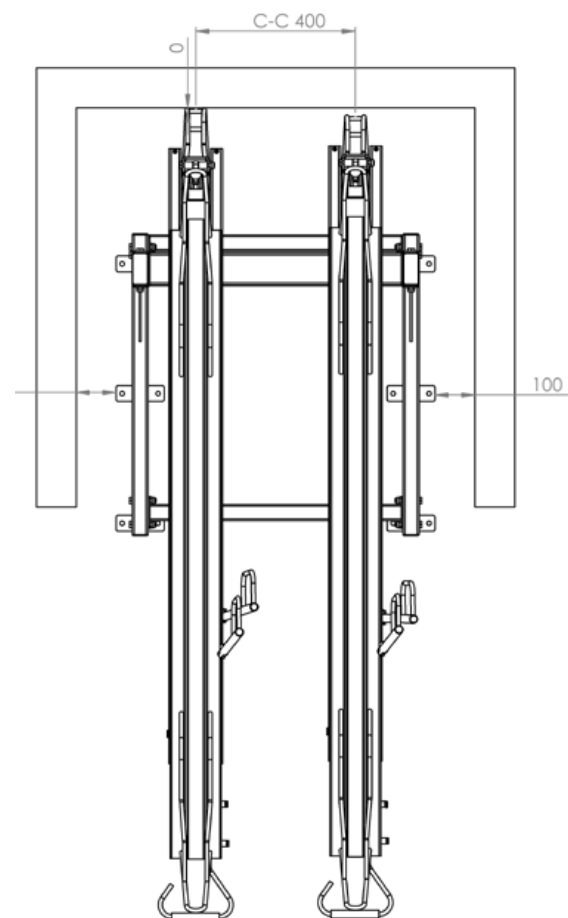
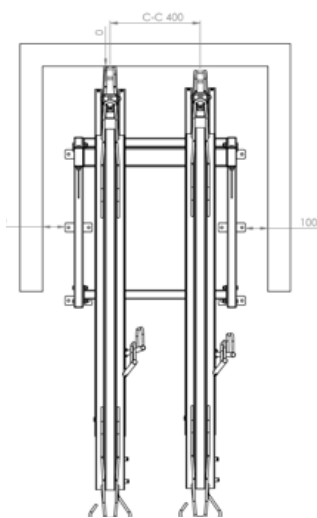


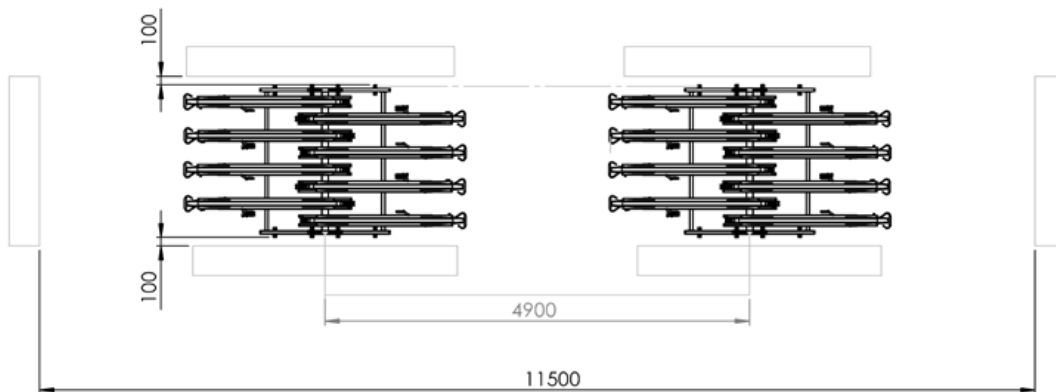
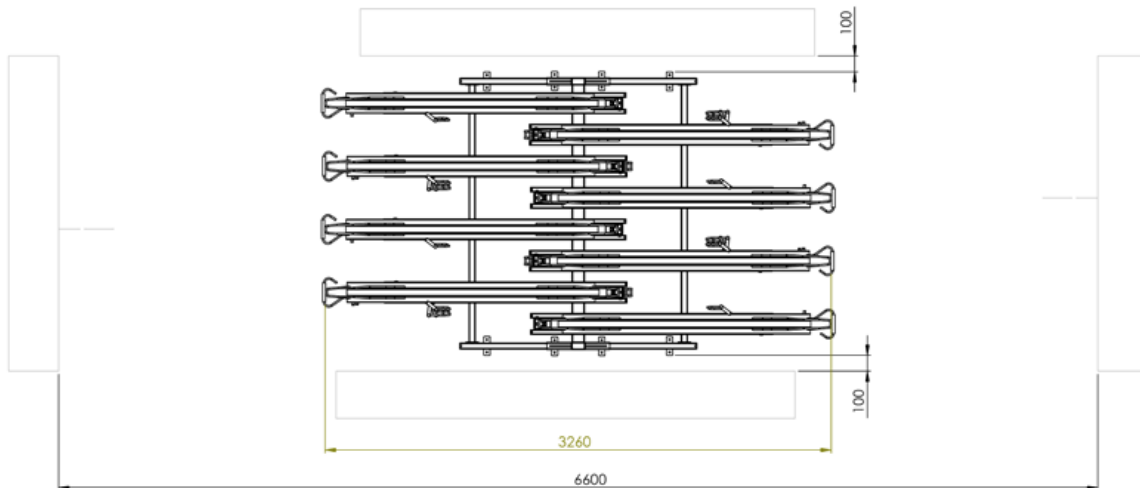
Installation guide

Type 100-22L, 100-33L and 100-44L

- Min distance from front facing wall, 0 mm
- Min distance from right or left wall, 100 mm
- Min distance between two bike stands is 0 mm (if bikes are on different heights, otherwise 200 mm between)
- Width of room is 3600mm
- Width of room with bike stands on two opposite walls is 5600mm

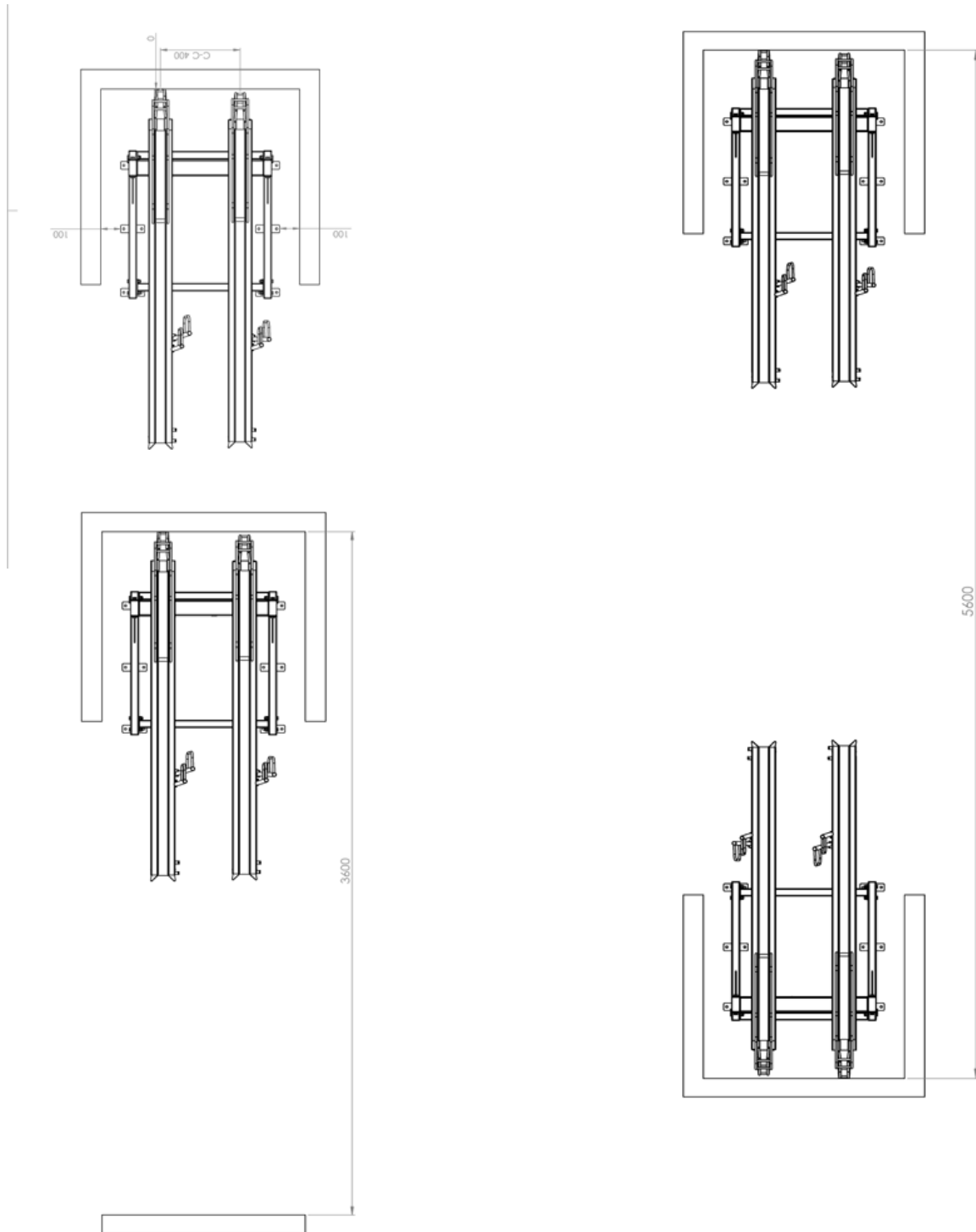


- Min distance from right or left wall, 100 mm
- Min distance between two bike stands is 0 mm (if bikes are on different heights, otherwise 200 mm between)
- Min width of room with one bike stand is 6600mm
- Min width of room with two bike stands is 11500mm
- C-C distance between two bike stands is 4900mm



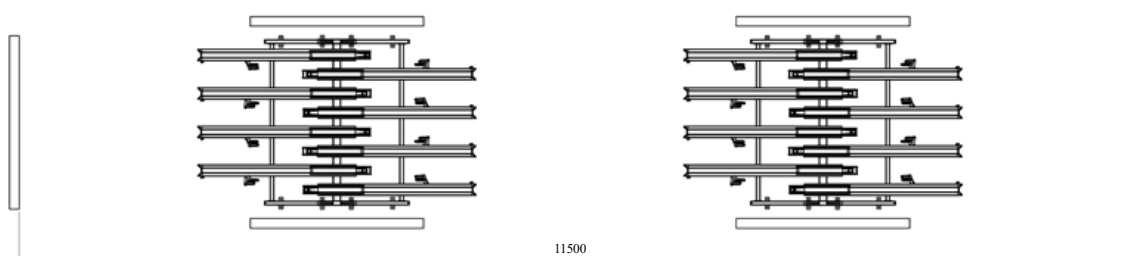
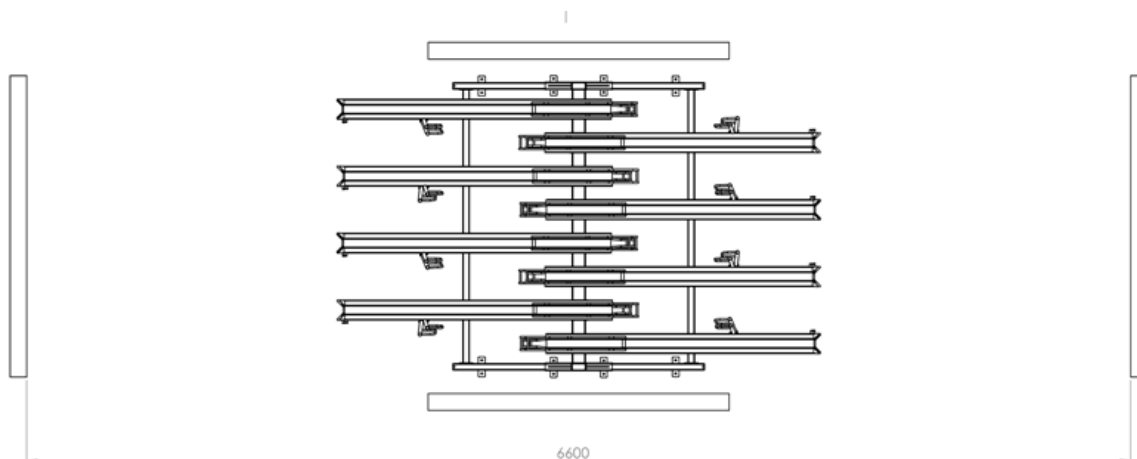
Type 300-22L, 300-33L, 300-44L, 400-22UL, 400-33UL and 400-44UL

- Min distance from front facing wall, 0 mm
- Min distance from right or left wall, 100 mm
- Min distance between two bike stands is 0 mm (if bikes are on different heights, otherwise 200 mm between)
- Width of room is 3600mm
- Width of room with bike stands on two opposite walls is 5600mm



Type 300-2222, 300-3333, 300-4444, 400-2222U, 400-3333U, 400-4444U

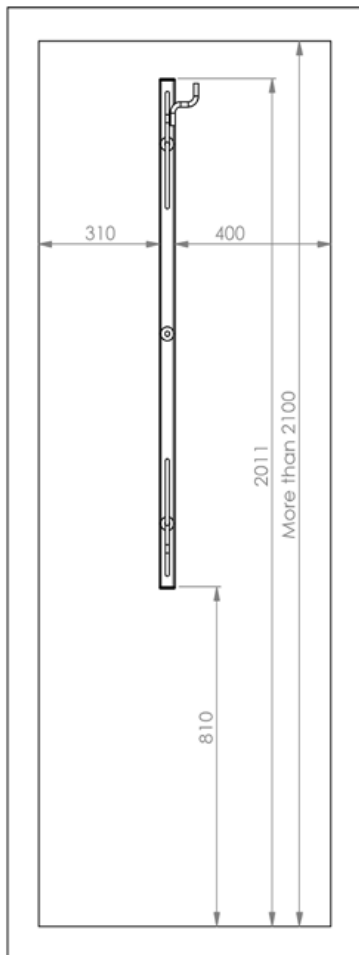
- Min distance from right or left wall, 100 mm
- Min distance between two bike stands is 0 mm (if bikes are on different heights, otherwise 200 mm between)
- Min width of room with one bike stand is 6600mm
- Min width of room with two bike stands is 11500mm
- C-C distance between two bike stands is 4900mm



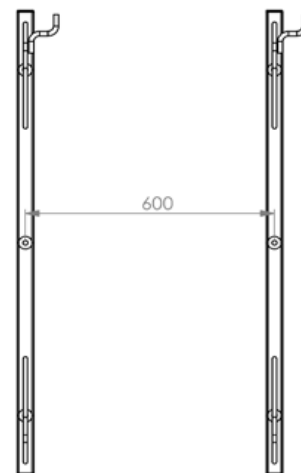
Type 500-1

For rooms with more than 2100mm between floor and ceiling

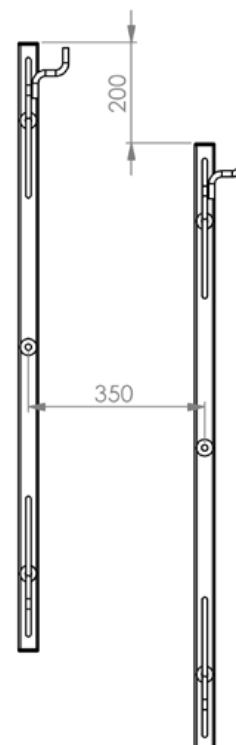
- If the ceiling height is at least 2100 the measurements must be made from the floor
- The recommended distance from the floor, 810 mm (1860 mm to upper hole)
- Min distance from right wall to centre of hole, 400 mm
- Min distance from left wall to centre of hole, 310 mm



- Min distance between two Type 5 is 600 mm if mounted on same height

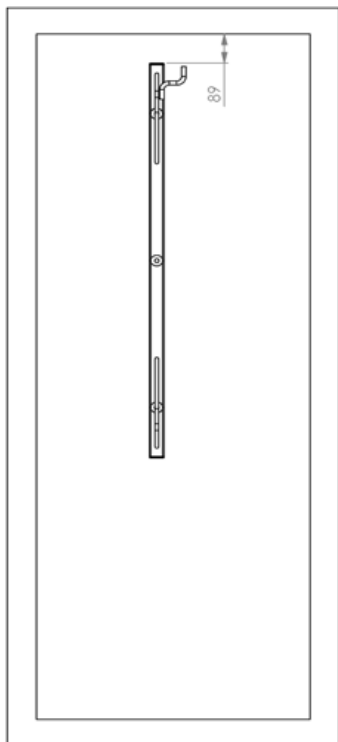


- If the ceiling height is at least 2100 mm the Type 5 can be mounted in a zig-zag pattern

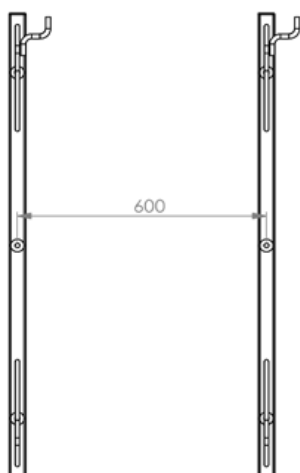


For rooms with less than 2100 mm between floor and ceiling

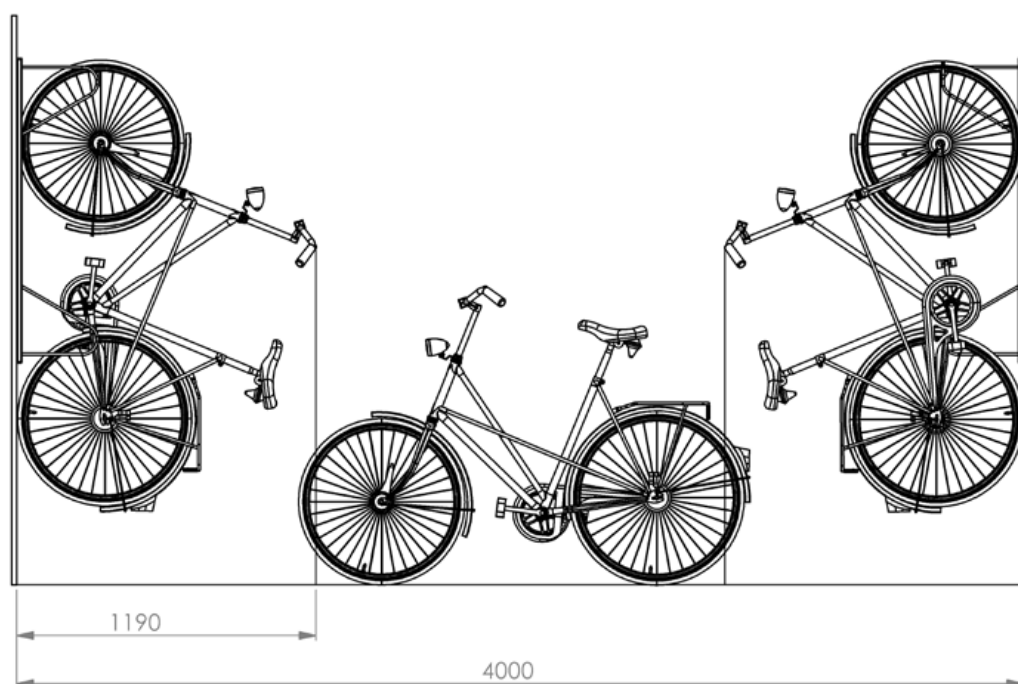
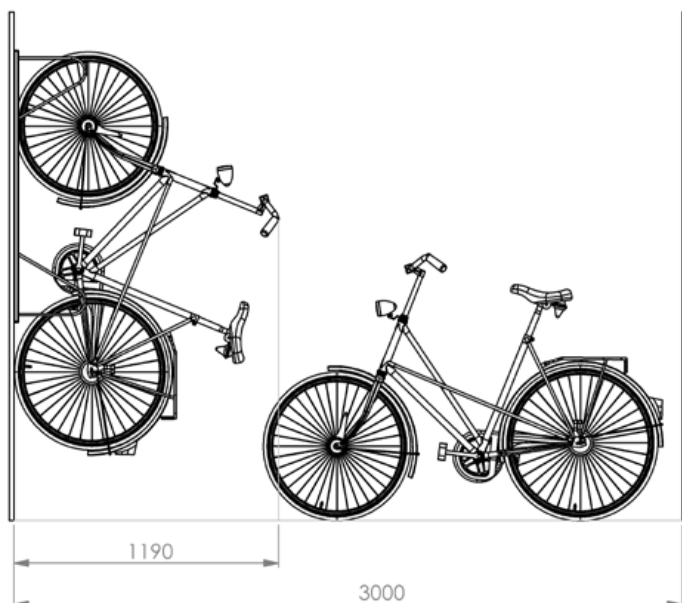
- Min distance from ceiling, 89mm
(distance ceiling to upper hole is 244 mm)
- Min distance from right wall to centre of hole, 400 mm
- Min distance from left wall to centre of hole, 310 mm



- Min distance between two Type 5 is 600 mm if mounted on same height

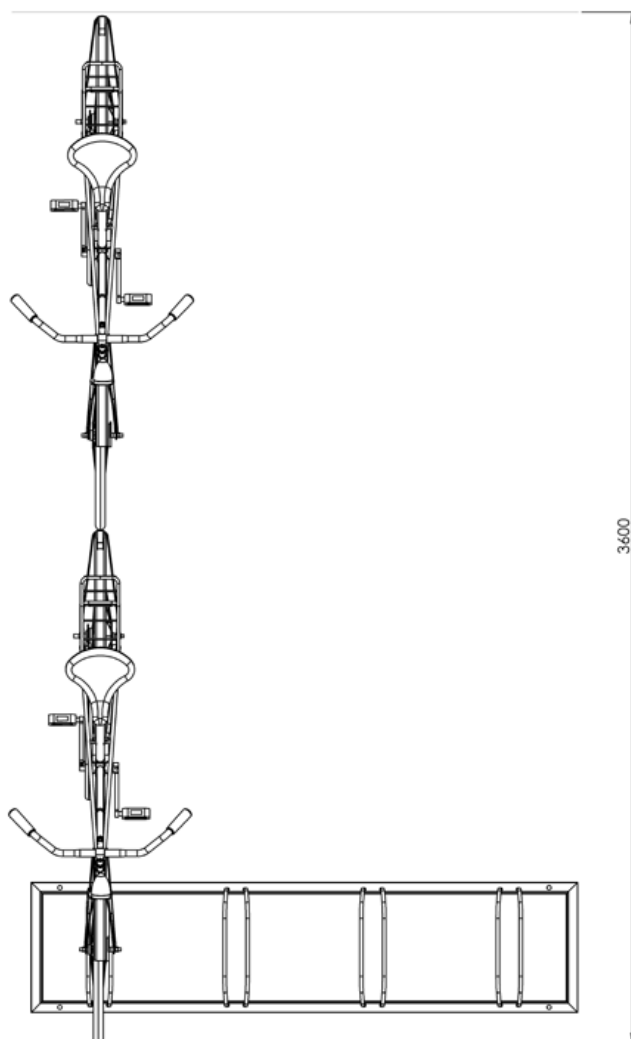
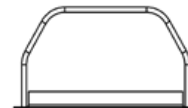
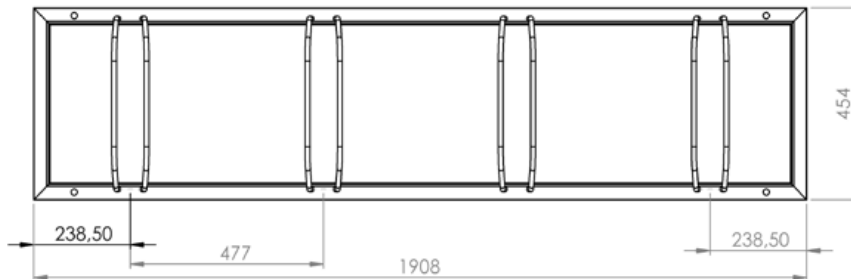


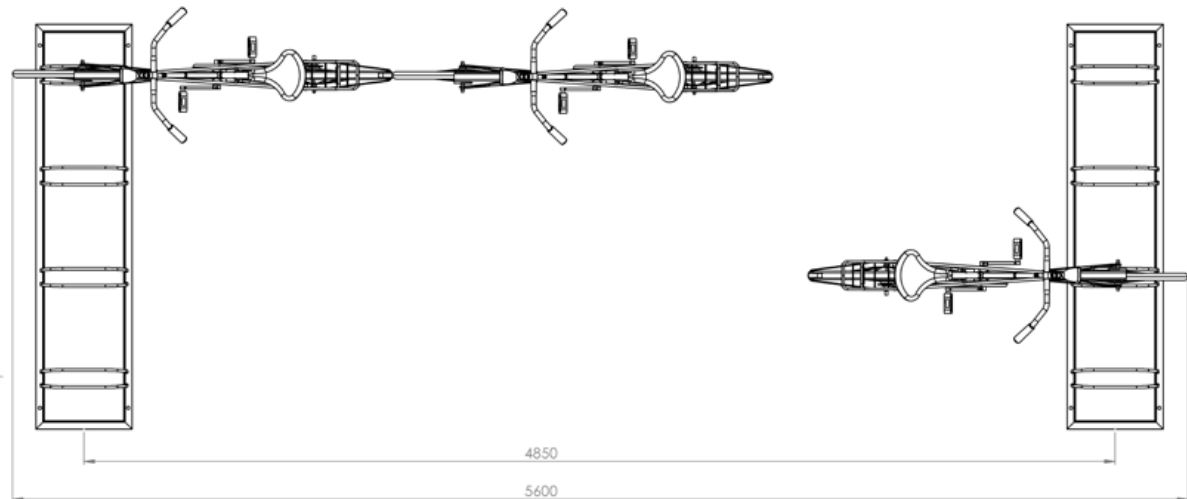
- Min. width of room with one bike 3000 mm
- Min. width of room with two bikes on opposite walls 4000 mm



Type 600-4

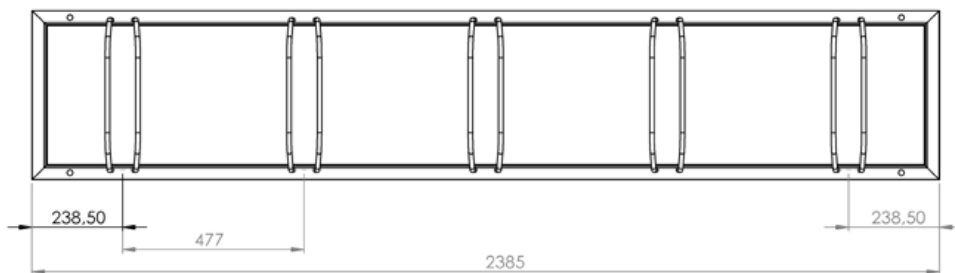
- Min distance from front facing wall, 140 mm
- Distance from wall to right or left side, 120 mm
- Min distance between two bike stands is 0 mm
- Min width of room is 3600mm
- Min width of room for bike stands on both sides is 5600mm





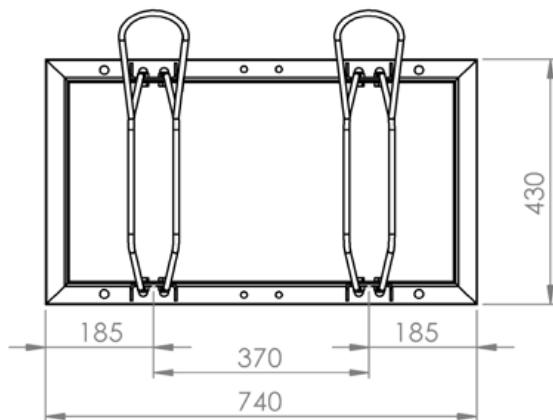
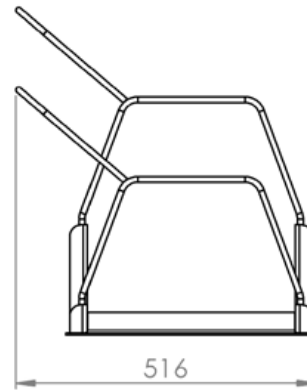
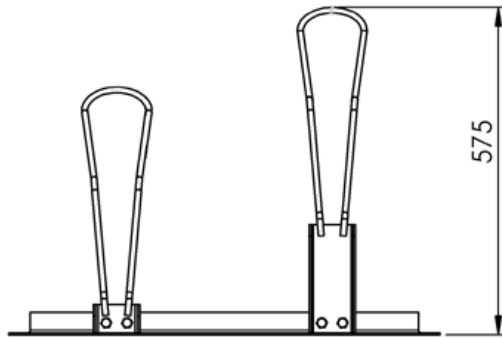
Type 600-5

- Min distance from front facing wall, 140 mm
- Distance from wall to right or left side, 120 mm
- Min distance between two bike stands is 0 mm



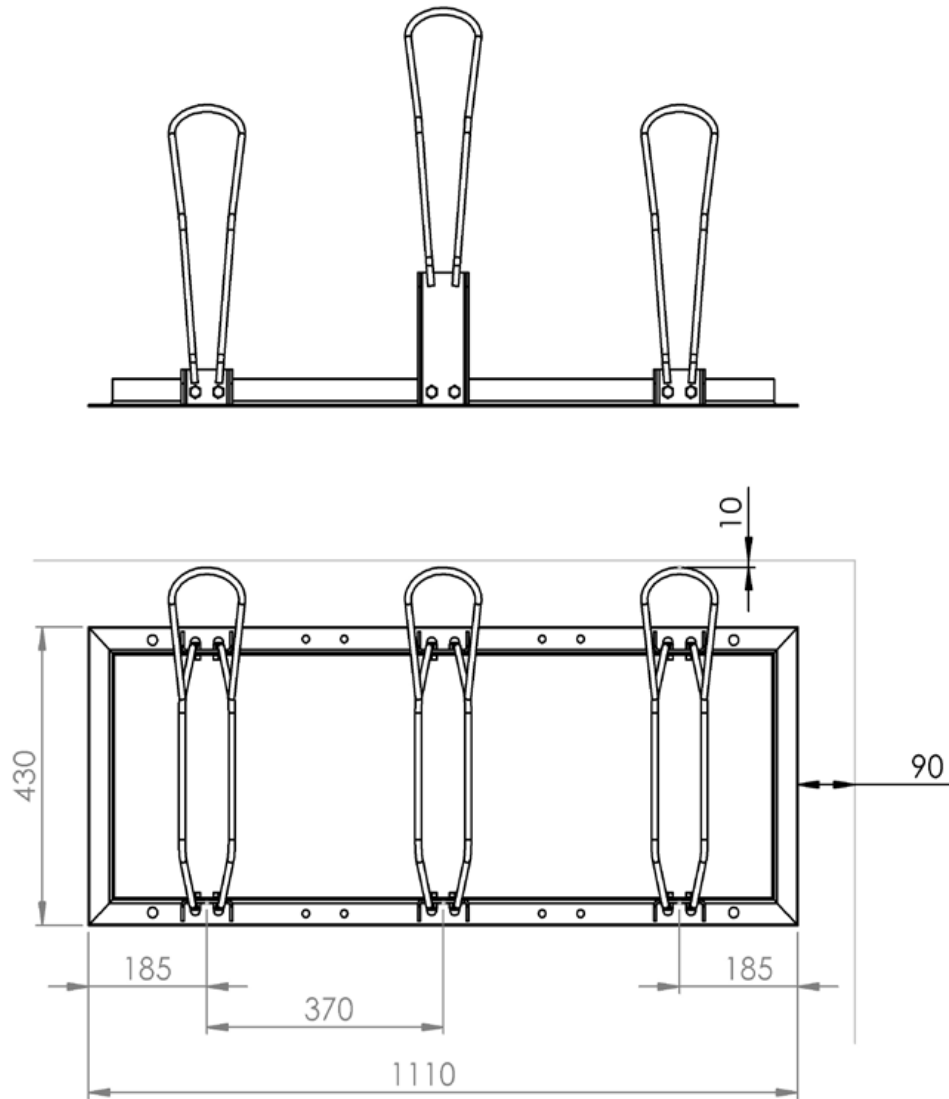
Type 700-2

- Min distance from front wall, 10 mm
- Min distance from right or left wall, 90 mm
- If wheel holders are on different height is the minimum distance between two bike stands 0 mm.
- If wheel holders are on same height is the minimum distance between two bike stands 180mm.



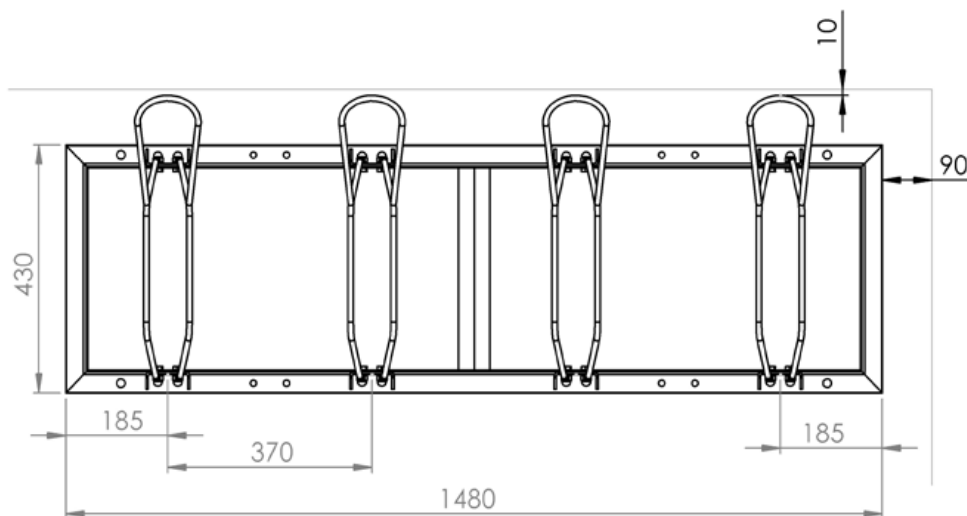
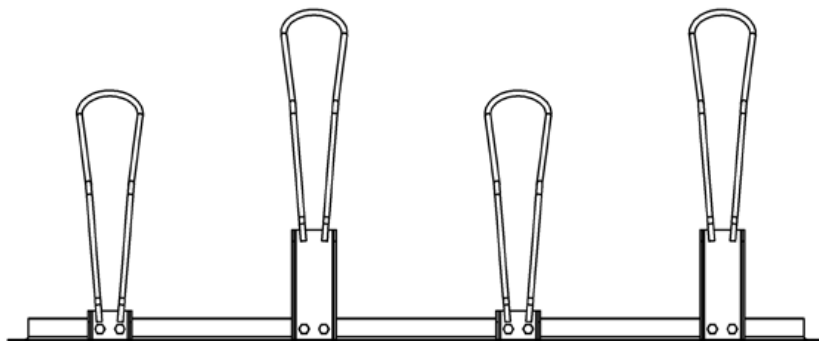
Type 700-3

- Min distance from front wall, 10 mm
- Min distance from right or left wall, 90 mm
- If wheel holders are on different height is the minium distance between two bike stands 0 mm.
- If wheel holdera are on same height is the minium distance between two bike stands 180mm.



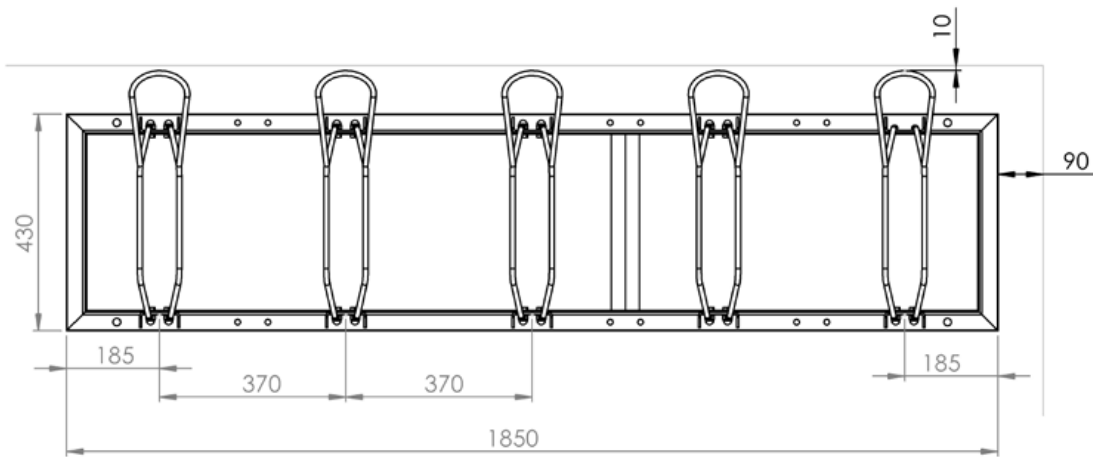
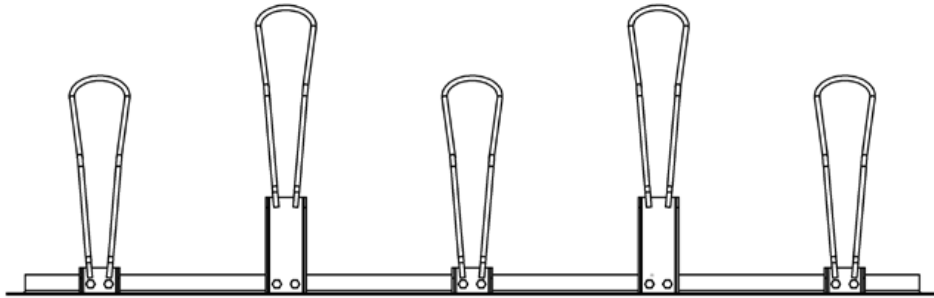
Type 700-4

- Min distance from front wall, 10 mm
- Min distance from right or left wall, 90 mm
- If wheel holders are on different height is the minimum distance between two bike stands 0 mm.
- If wheel holders are on same height is the minimum distance between two bike stands 180mm.

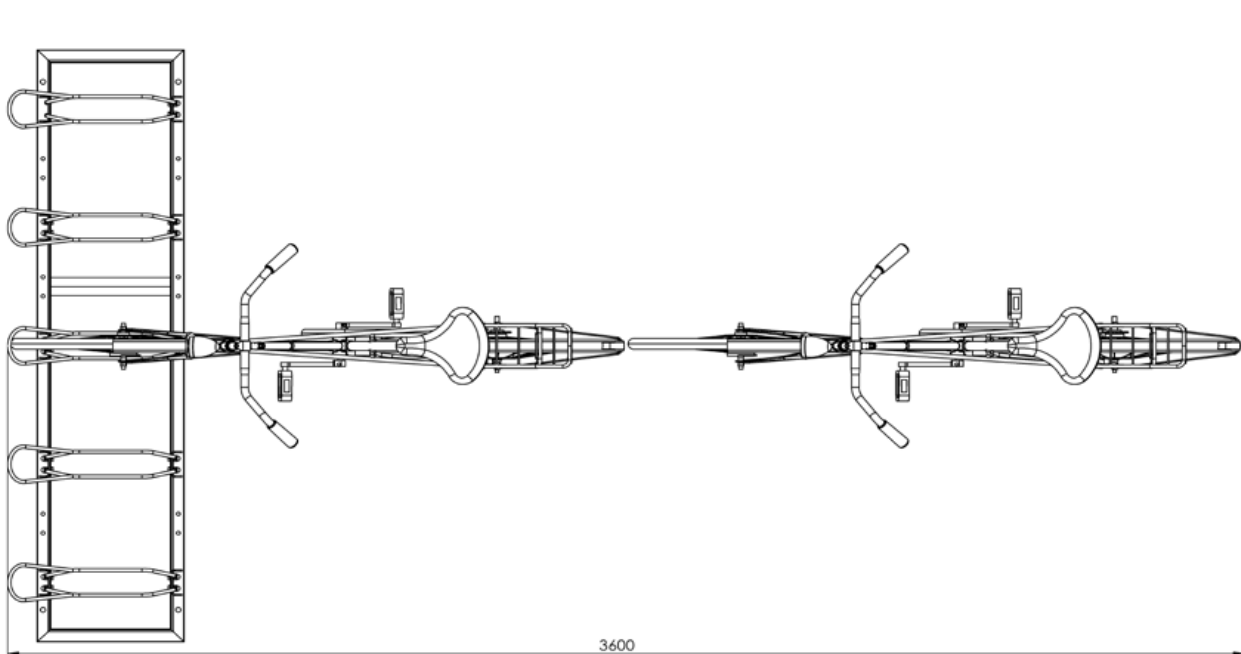


Type 700-5

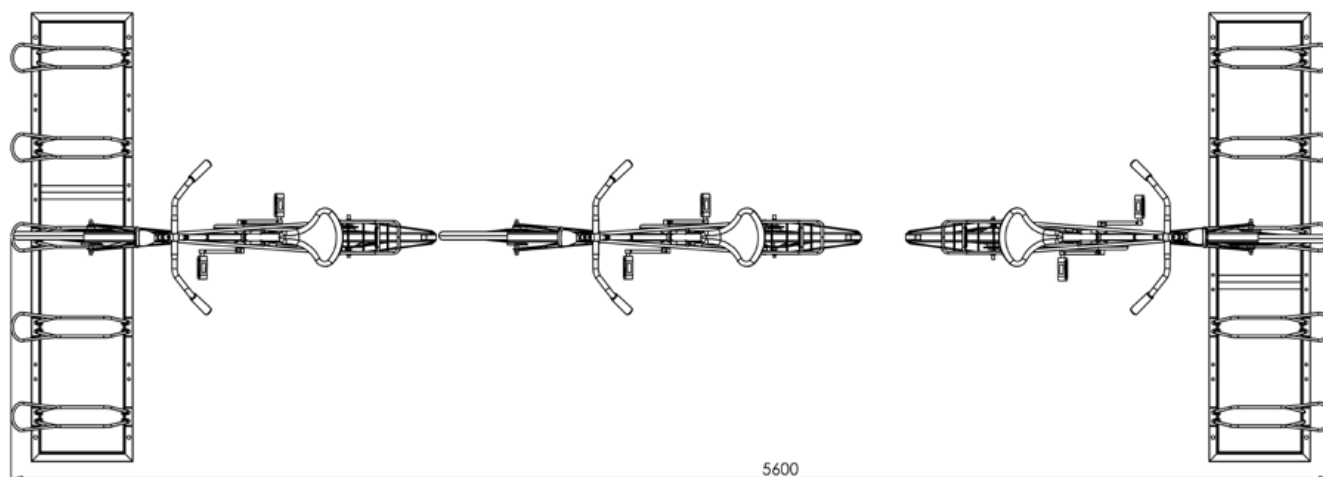
- Min distance from front wall, 10 mm
- Min distance from right or left wall, 90 mm
- If wheel holders are on different height is the minimum distance between two bike stands 0 mm.
- If wheel holders are on same height is the minimum distance between two bike stands 180mm.



- Min width of room is 3600mm

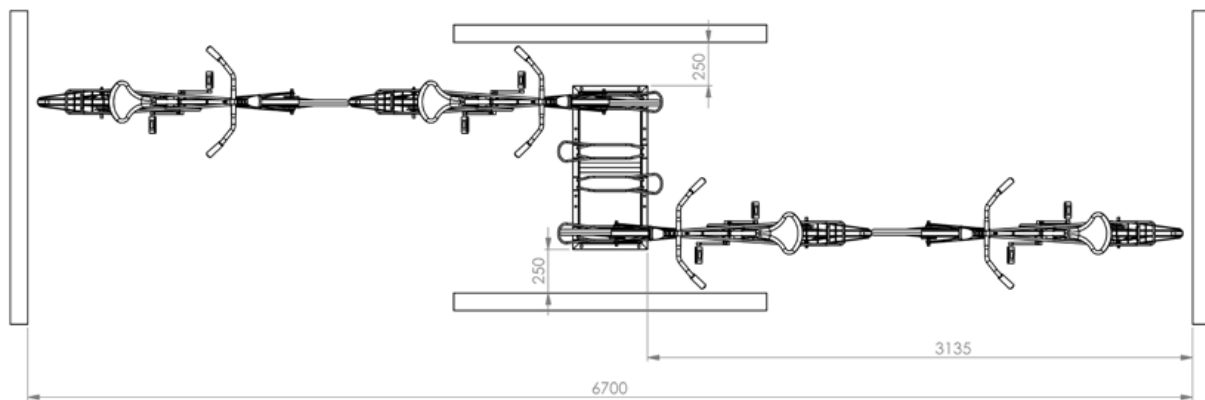
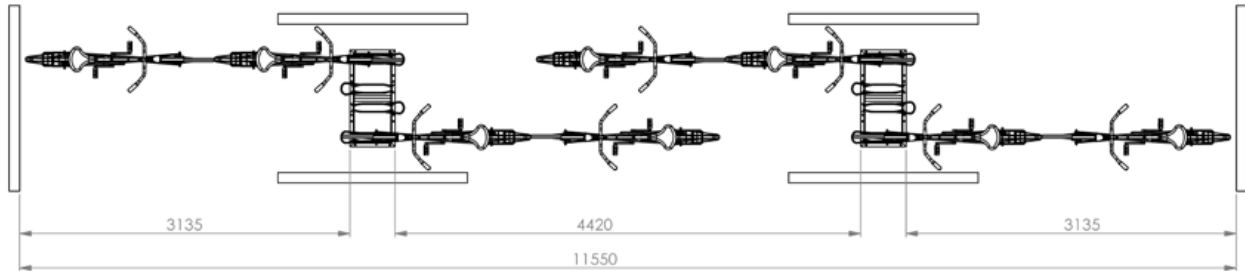


- Min width of room for bike stands on both sides is 5600mm

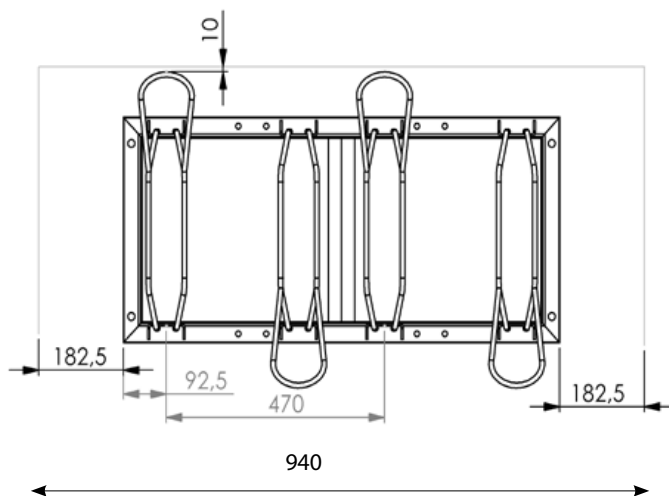


Type 700-22/700-33/700-44/700-55

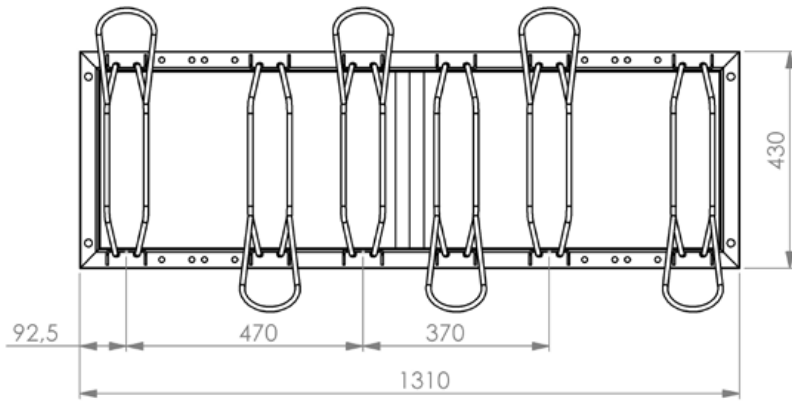
- Min distance from front/back wall, 3135 mm
- Min distance from right or left wall, 250 mm
- If wheel holders are on different height is the minimum distance between two bike stands 0 mm.
- If wheel holder are on same height is the minimum distance between two bike stands 0 mm.
- Min width of room for two bike stands is 11550 mm



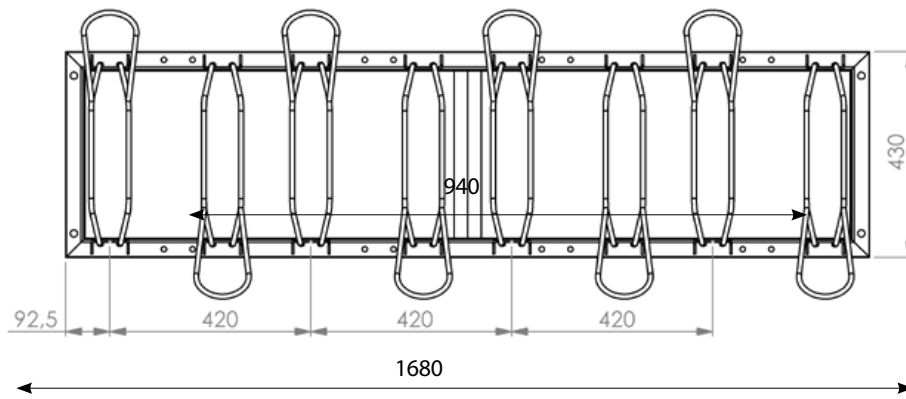
- 700-22:



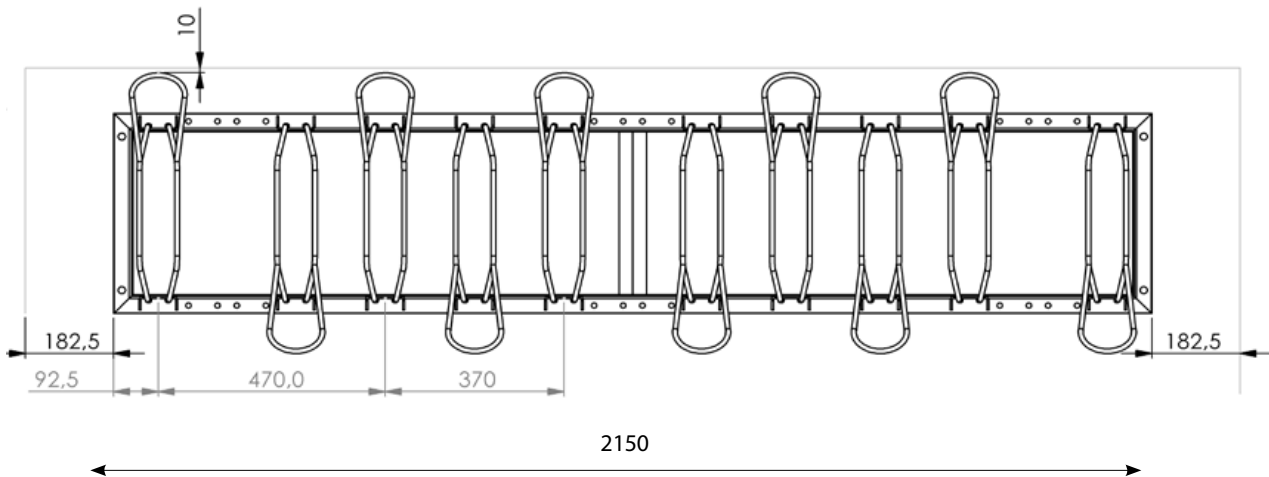
- 700-33:



- 700-44:

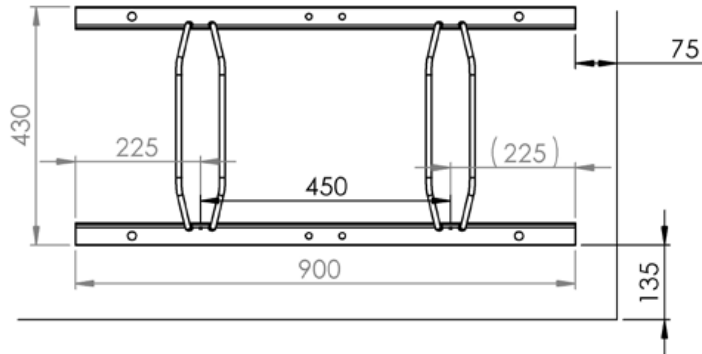


- 700-55:



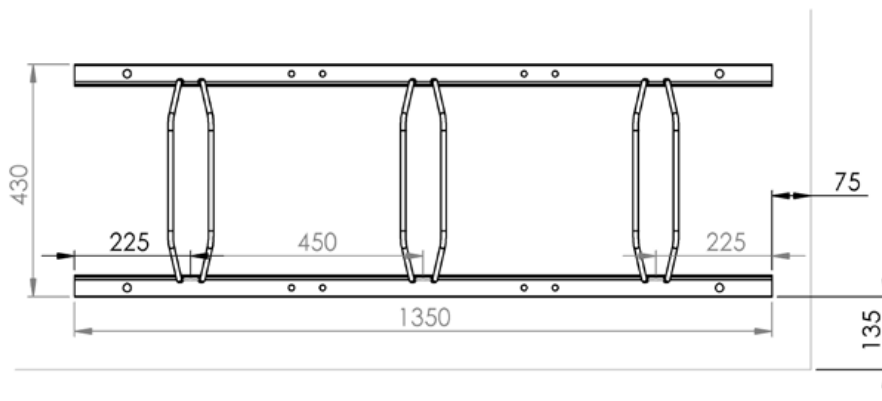
Type 800-2

- Min distance from floor, 135 mm
- Min distance from right or left wall, 75 mm
- Min distance between two bike stands is 0 mm



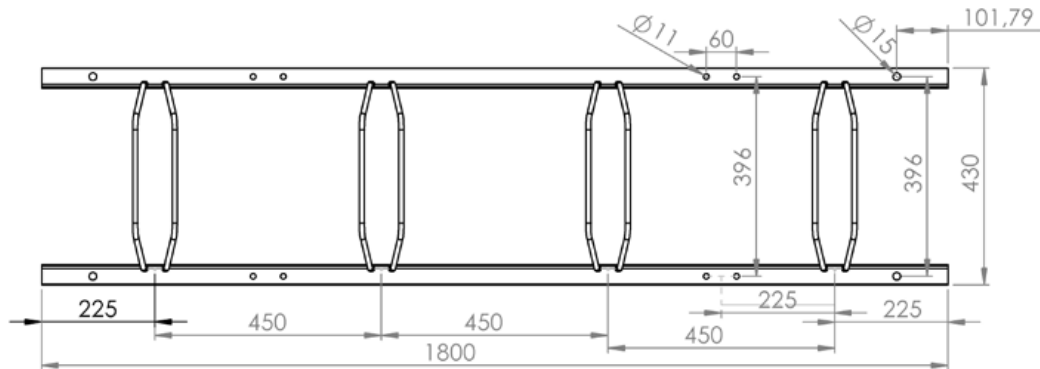
Type 800-3

- Min distance from floor, 135 mm
- Min distance from right or left wall, 75 mm
- Min distance between two bike stands is 0 mm

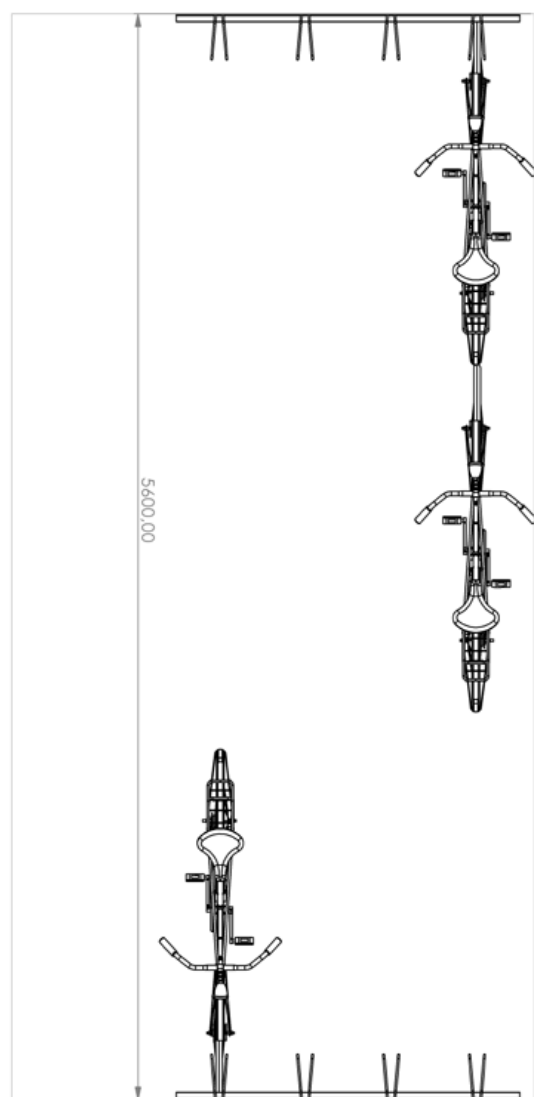
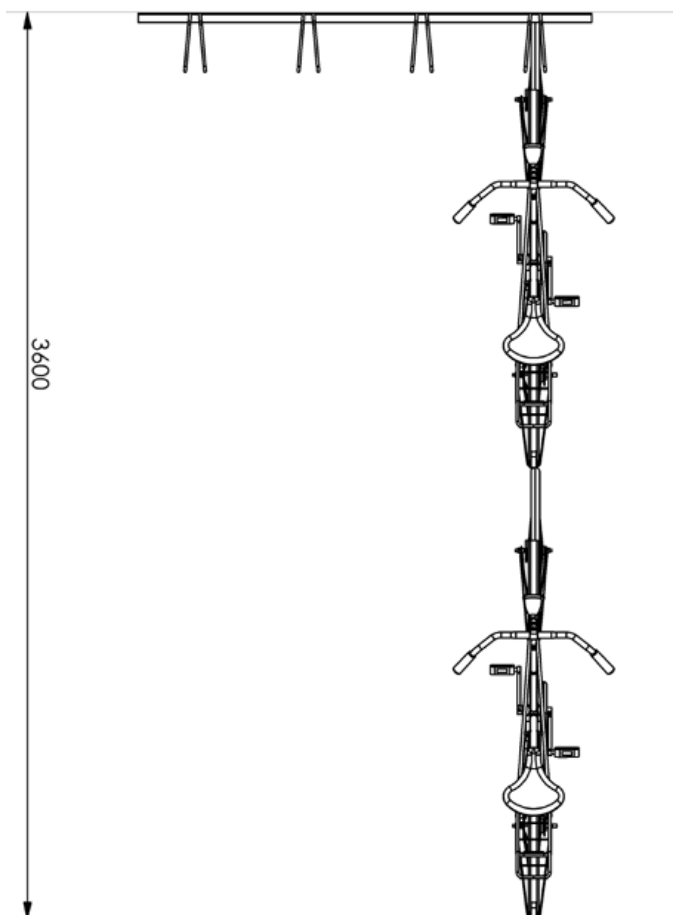


Type 800-4

- Min distance from floor, 135 mm
- Min distance from right or left wall, 75 mm
- Min distance between two bike stands is 0 mm
- Min width of room for bike stands on both sides is 5600mm

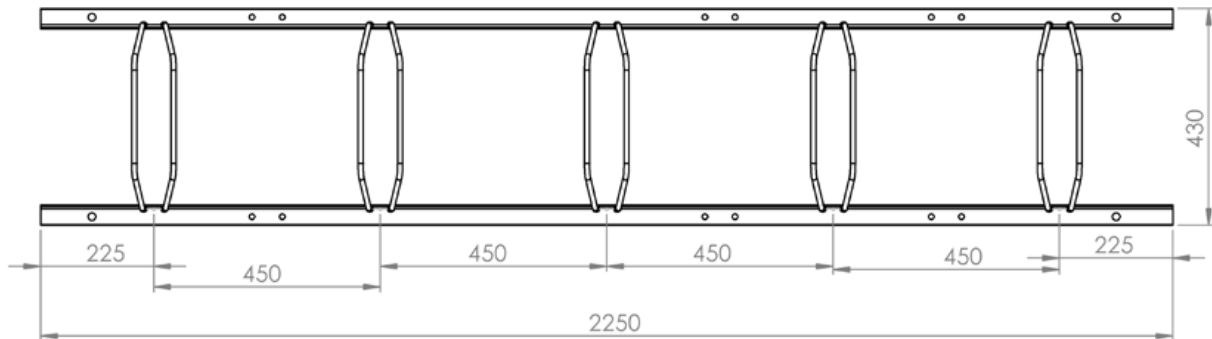


- Min width of room is 3600mm



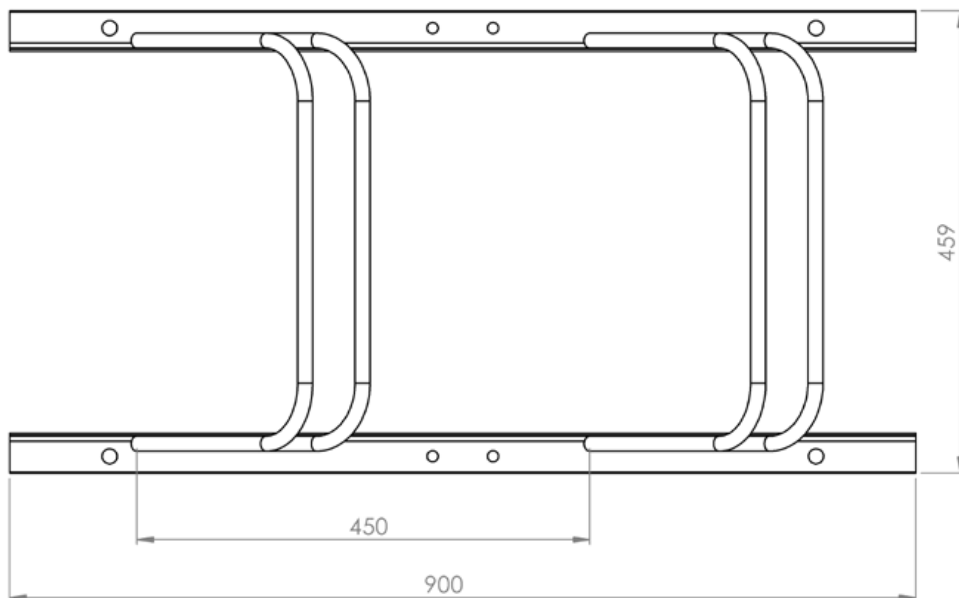
Type 800-5

- Min distance from floor, 135 mm
- Min distance from right or left wall, 75 mm
- Min distance between two bike stands is 0 mm



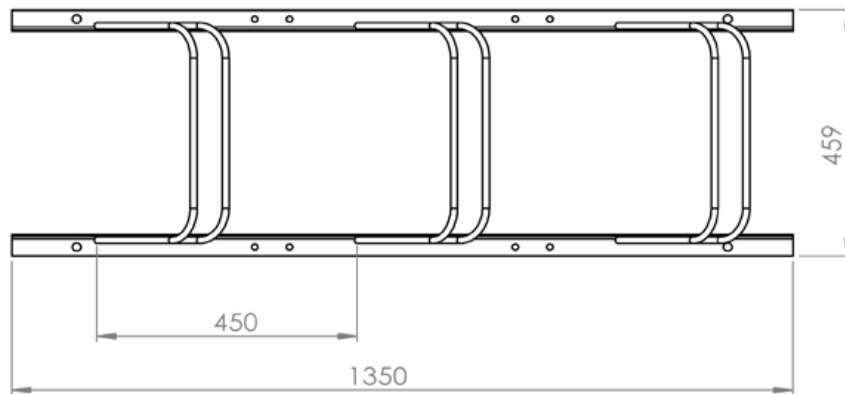
Type 900-2

- Min distance from floor, 135 mm
- Min distance from left wall, 0 mm, (if installed as picture below)
- Min distance from right wall, 1300 mm (if installed as picture below)
- Min distance between two bike stands is 0 mm



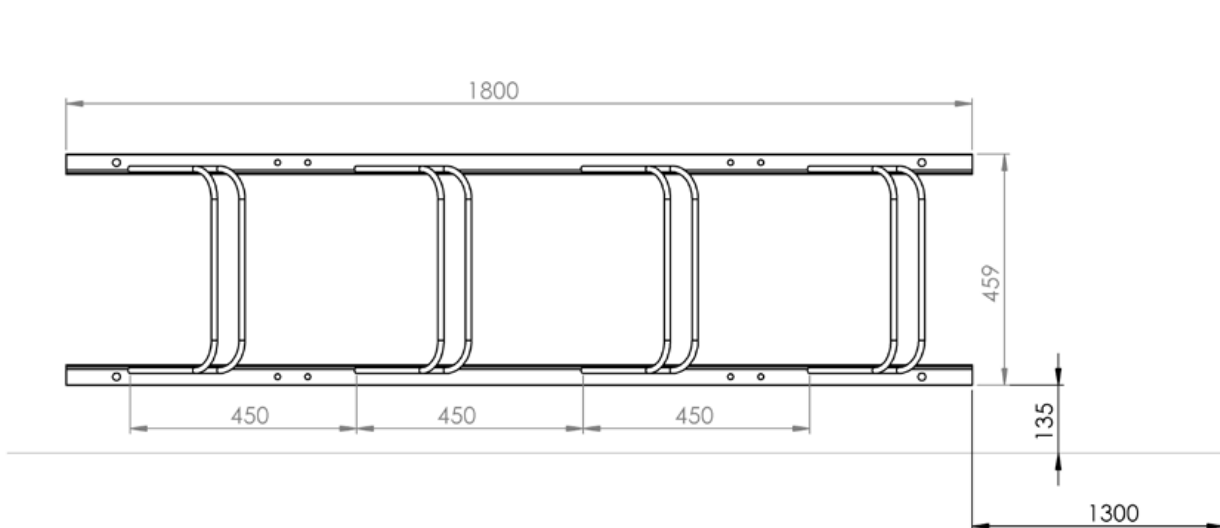
Type 900-3

- Min distance from floor, 135 mm
- Min distance from left wall, 0 mm, (if installed as picture below)
- Min distance from right wall, 1300 mm (if installed as picture below)
- Min distance between two bike stands is 0 mm

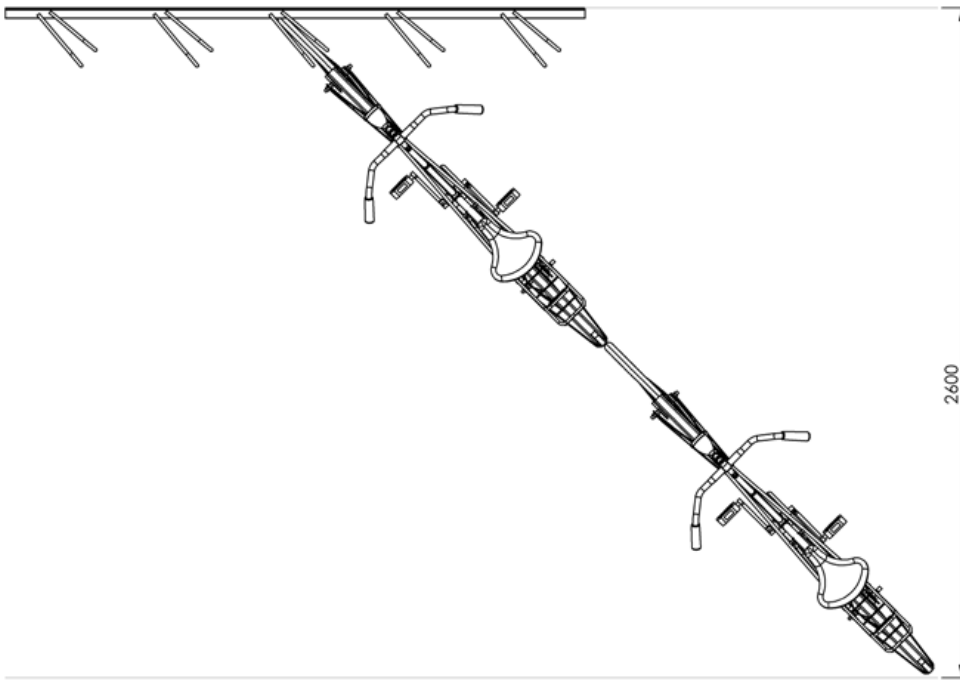


Type 900-4

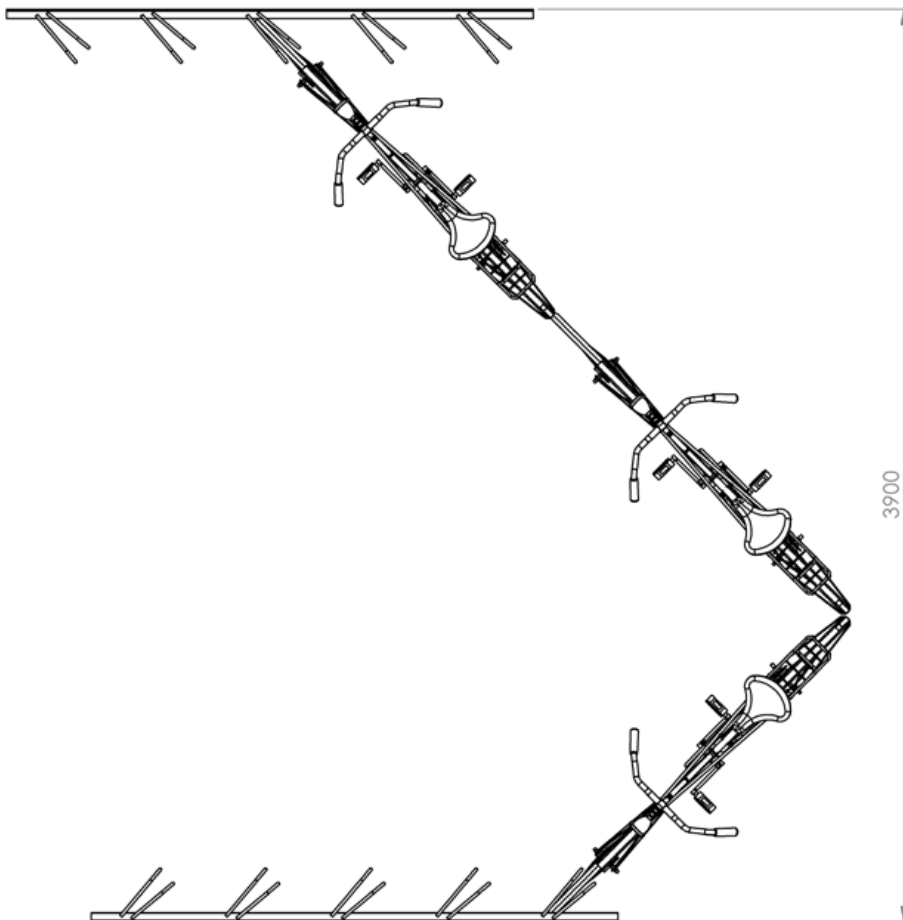
- Min distance from floor, 135 mm
- Min distance from left wall, 0 mm, (if installed as picture below)
- Min distance from right wall, 1300 mm (if installed as picture below)
- Min distance between two bike stands is 0 mm



- Min width of room is 2600 mm

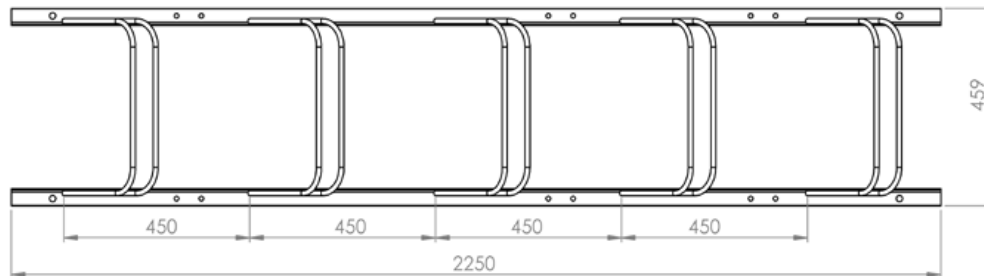


- Min width of room for bike stands on both sides is 3900mm



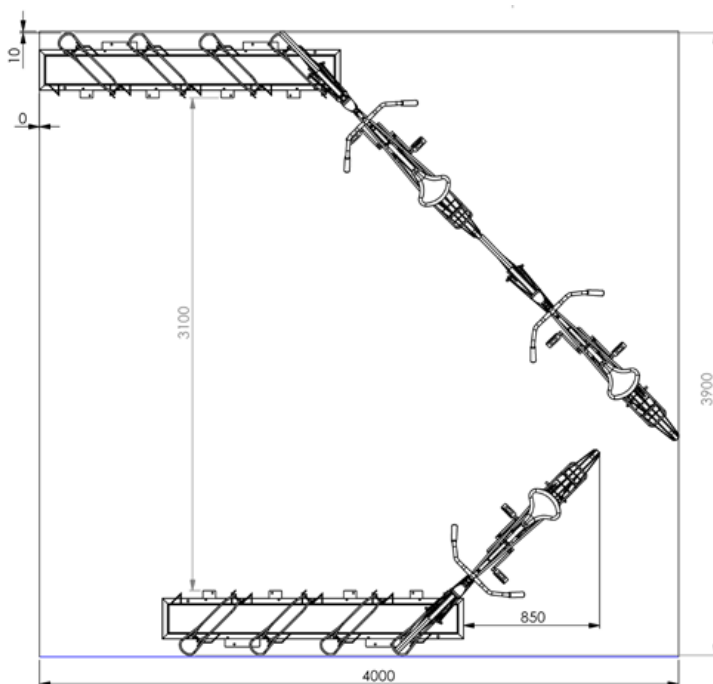
Type 900-5

- Min distance from floor, 135 mm
- Min distance from left wall, 0 mm, (if installed as picture below)
- Min distance from right wall, 1300 mm (if installed as picture below)
- Min distance between two bike stands is 0 mm

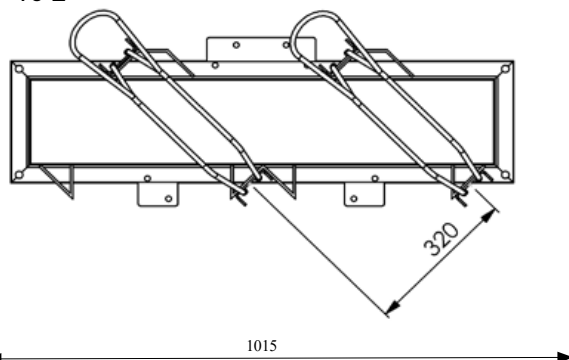


Type 10-2, 10-3, 10-4, 10-5

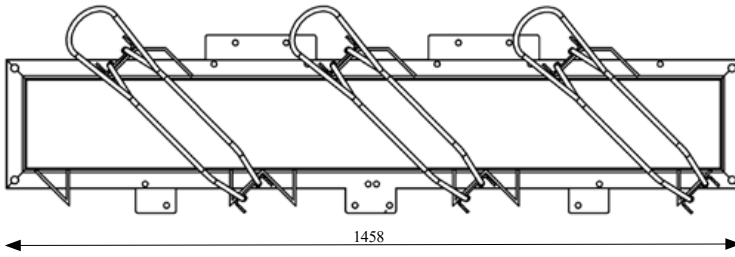
- Min distance from left wall, 0 mm, (if installed as picture below)
- Min distance from right wall, 850 mm (if installed as picture below)
- Min distance between two bike stands is 0 mm
- Min distance in installed on two opposite walls is 3100 mm



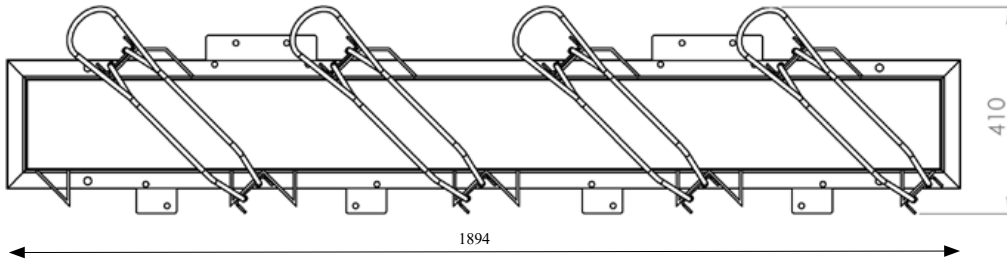
- 10-2



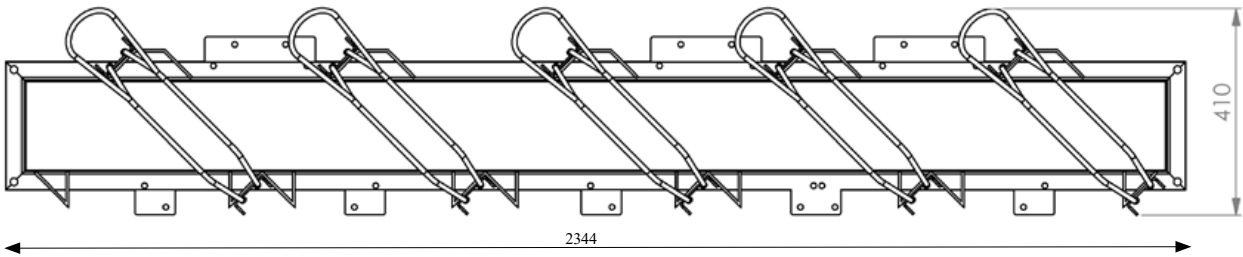
• 10-3



• 10-4

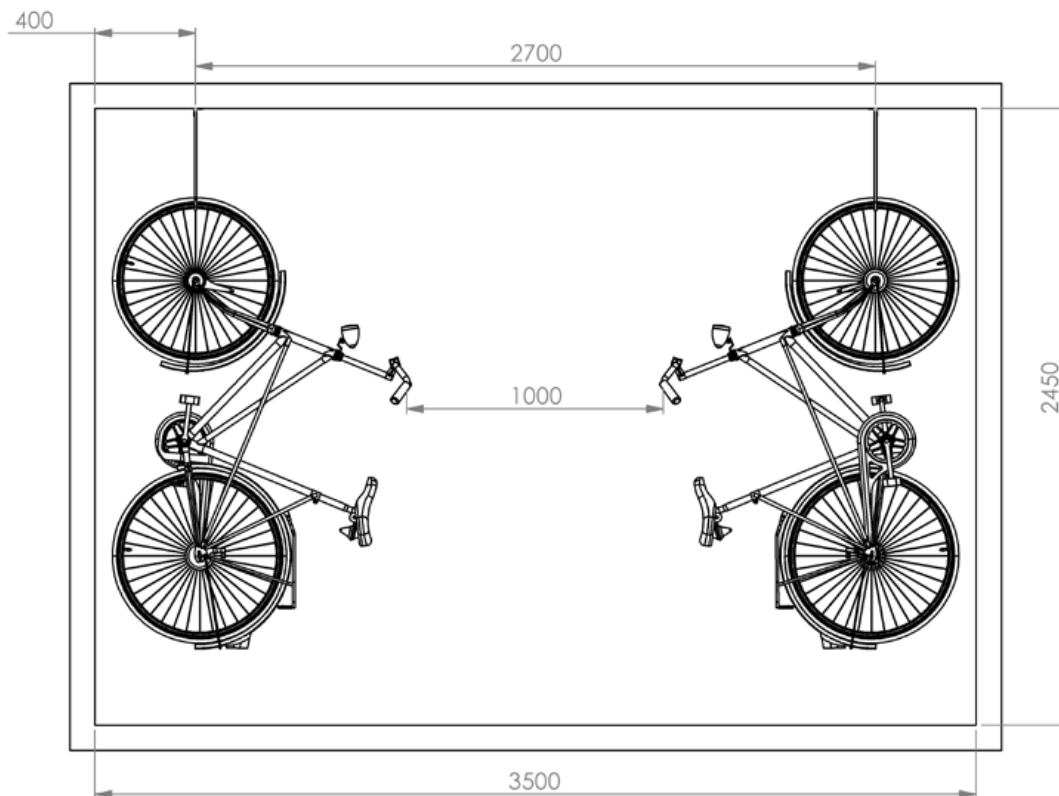


• 10-5

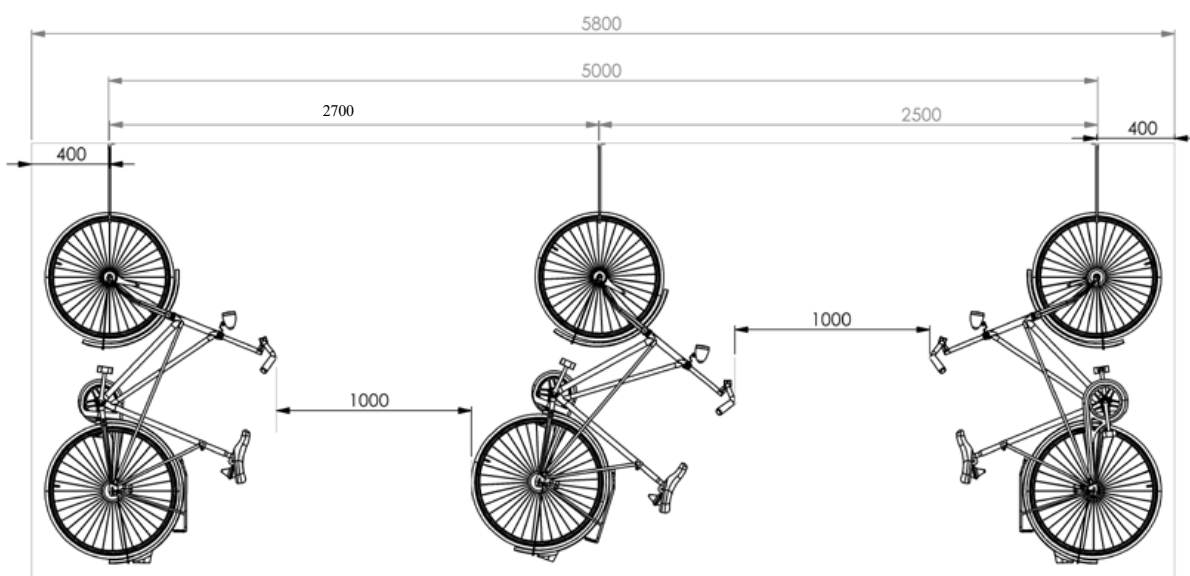


Type Roof Hanging Short and Long (90 degree mounting)

- Min distance between floor and ceiling , 2450 mm (Short), 2950 mm (Long)
- Min distance to wall, 400 mm (side)
- Min distance to wall, 400 mm (forward)
- Min distance between two hooks is 600 mm
- Min distance between rows of hooks is 2700mm



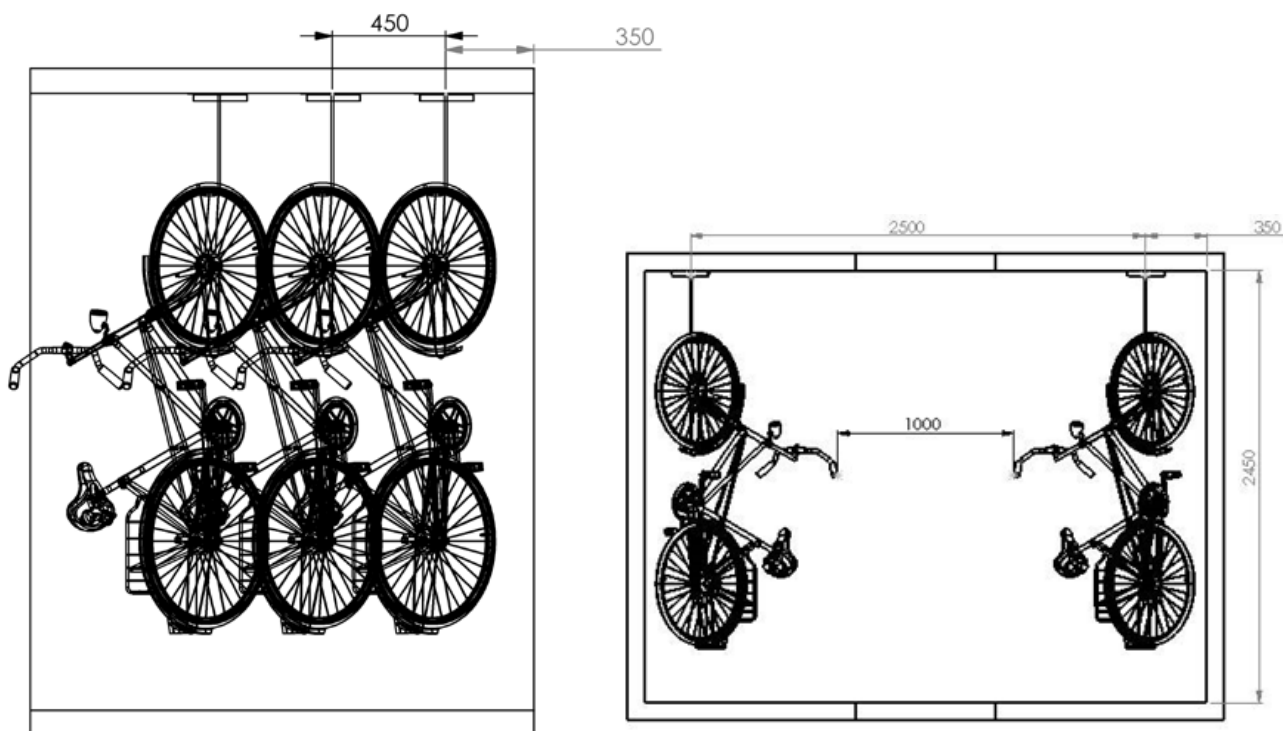
- Distance to forward wall and min distance to roof



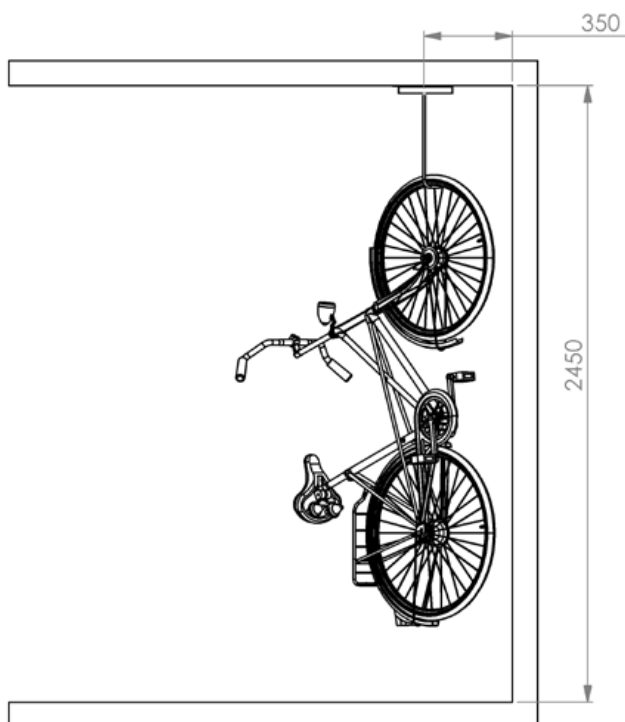
- Distance to side wall and to second hook, and distance between two rows of hooks

The Roof hanging hooks can also be mounted at 45 degree angle

- Min distance between floor and ceiling , 2450 mm (Short), 2950 mm (Long)
- Min distance to wall, 350 mm (side)
- Min distance to wall, 350 mm (forward)
- Min distance between two free hanging rows is 2500mm



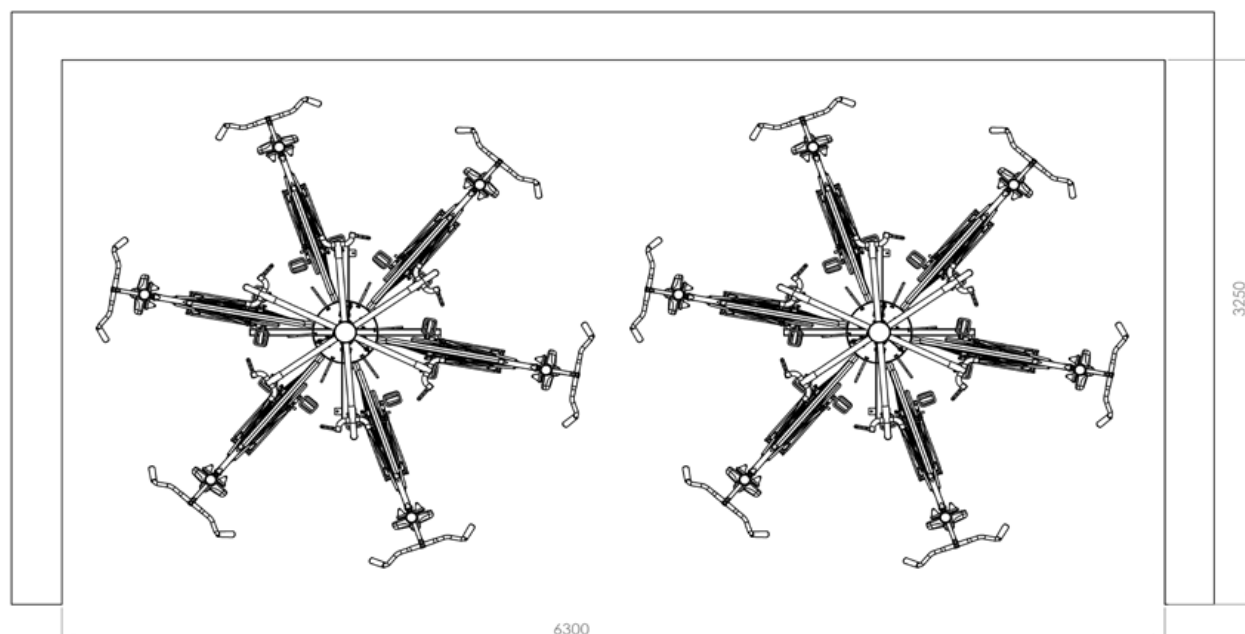
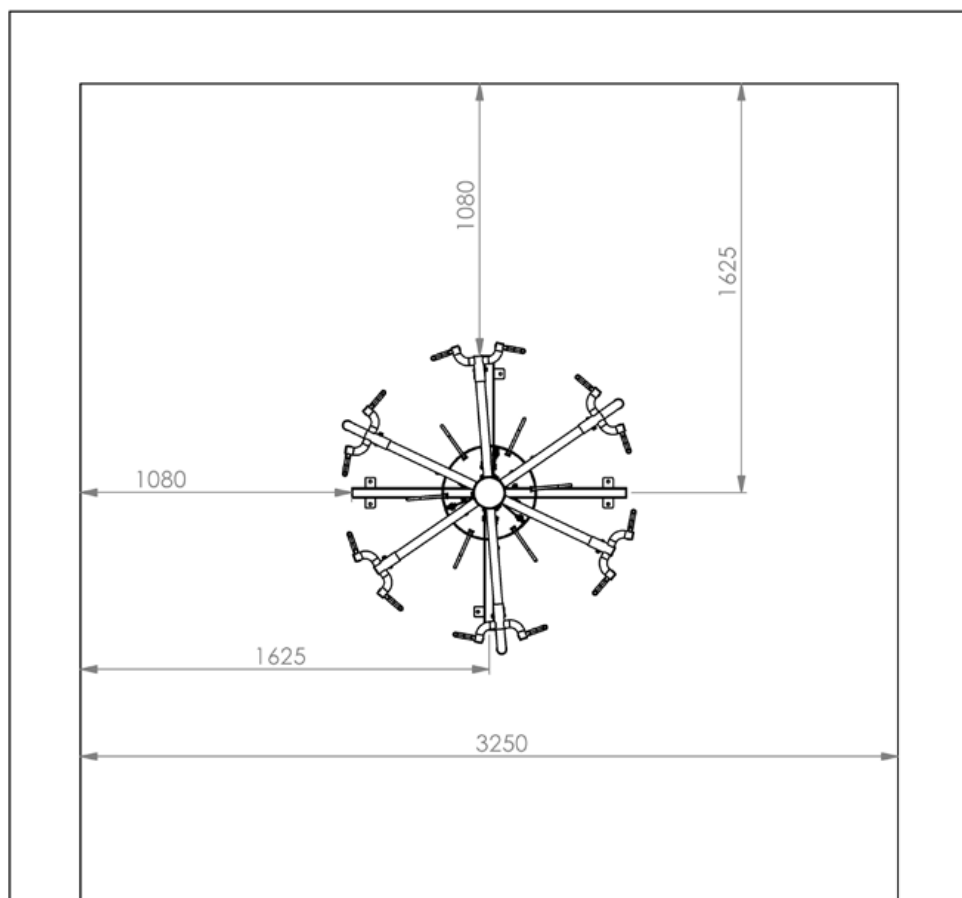
- 45 degree mounting, distance to side wall and second hook



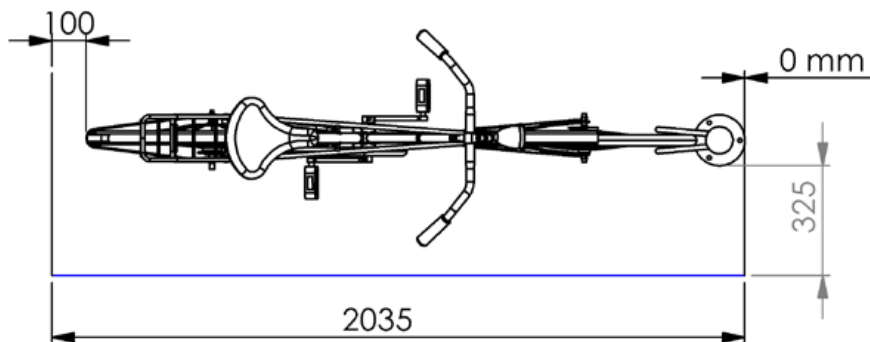
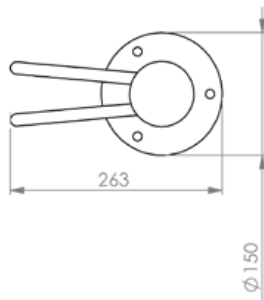
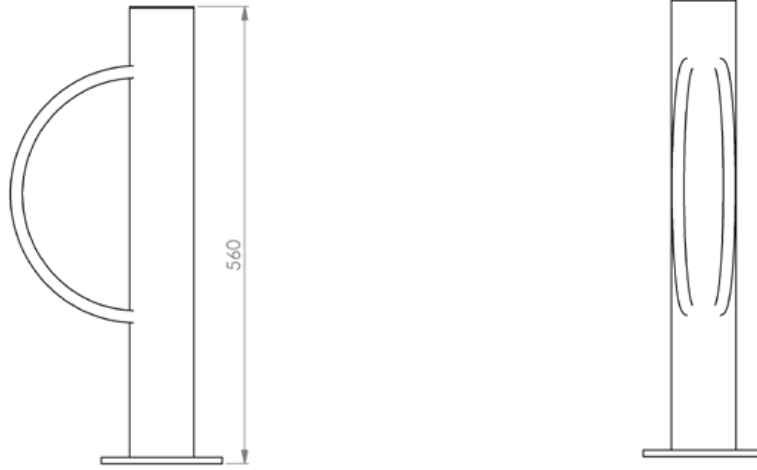
- Min distance between floor and ceiling , 2450 mm (Short), 2950 mm (Long)

Type Spin-12

- Min distance from wall, 1080 mm
- Min distance between walls, 3250 mm
- Min distance between walls for installation of two bike stands, 6300 mm



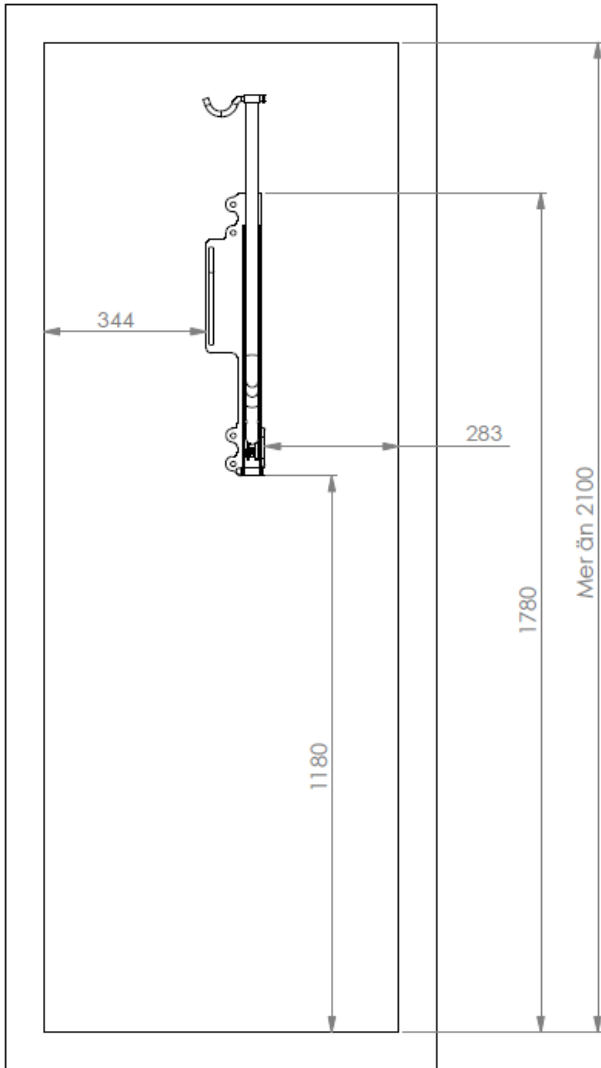
- Min. width of room with one bike 3800 mm
- Min. width of room with two bikes on opposite walls 5700 mm
- Min. distance between two poles 450mm



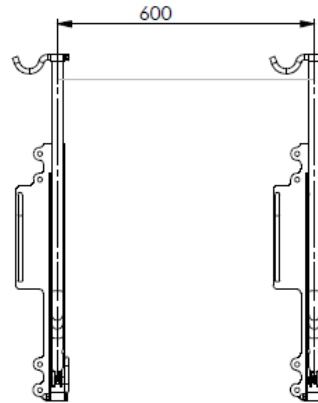
500-1A

For rooms with more than 2100mm between floor and ceiling

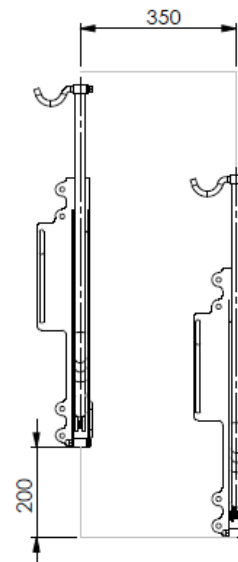
- If the ceiling height is at least 2100 the measurements must be made from the floor
- The recommended distance from the floor, 1180 mm
- Min distance from right wall, 283mm
- Min distance from left wall, 344mm



- Min distance between two 500-1A is 600 mm if mounted on same height

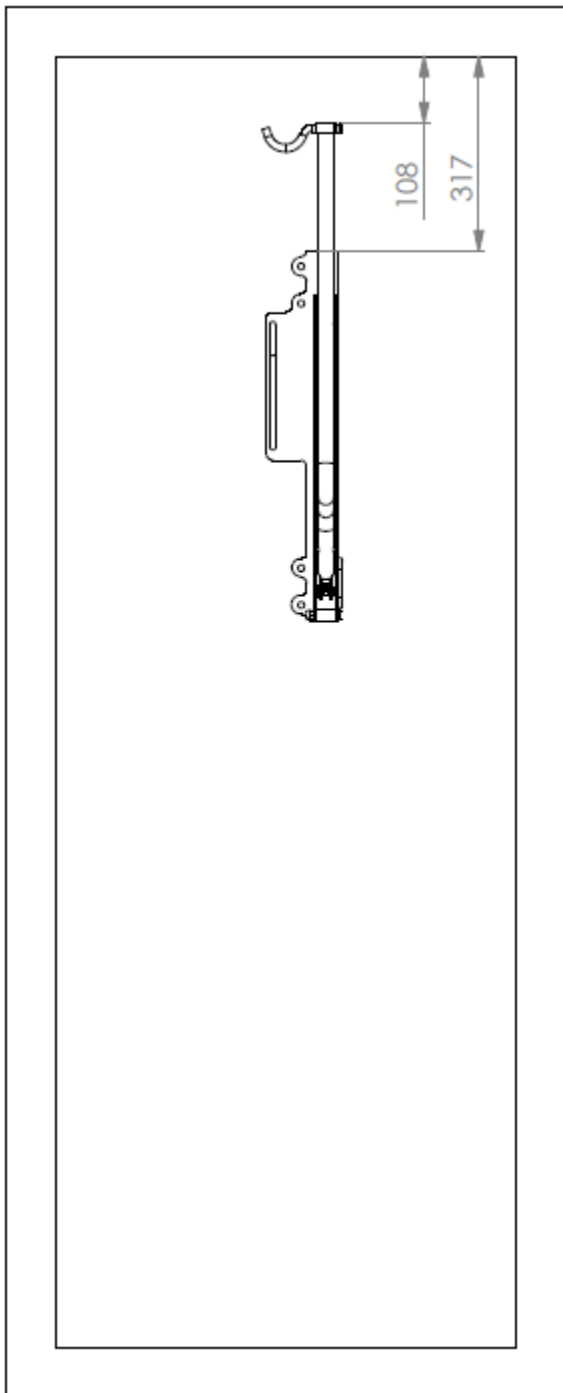


- If the ceiling height is at least 2100mm two 500-1A can be mounted in a zig-zag pattern

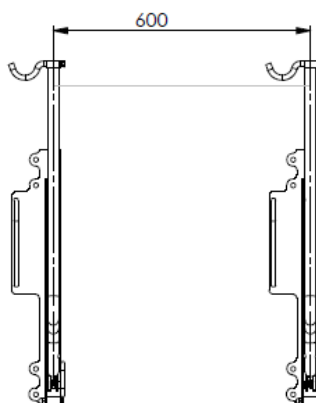


For rooms with less than 2100 mm between floor and ceiling

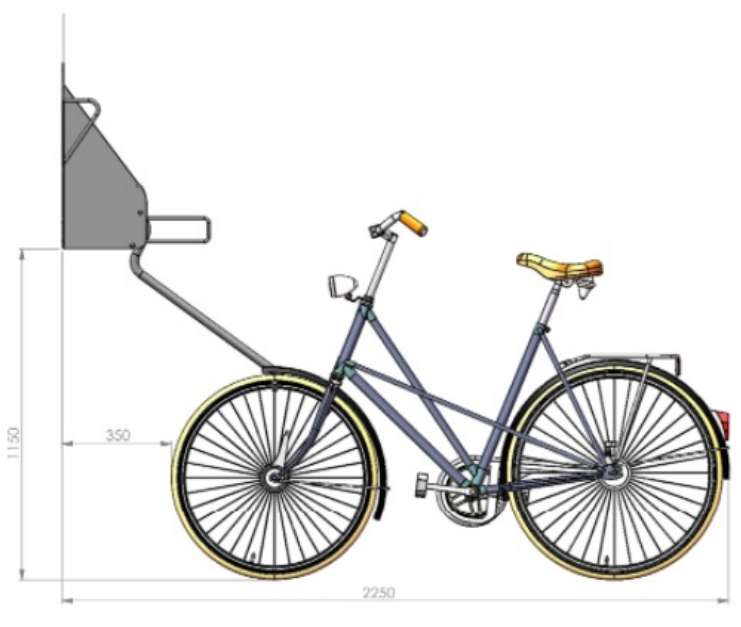
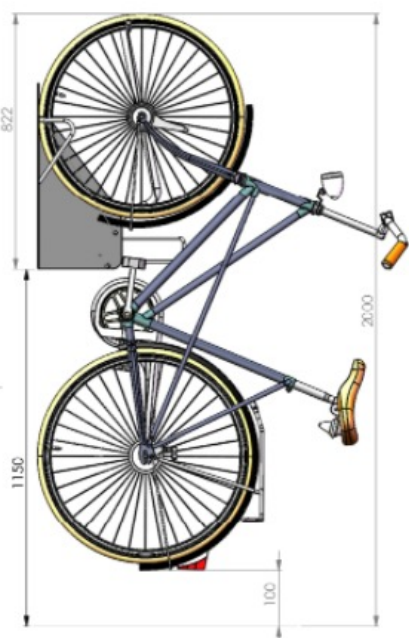
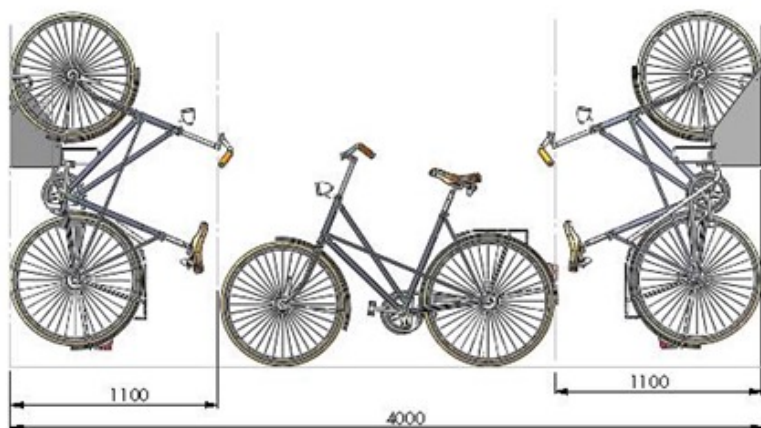
- Min distance from ceiling, 317mm (distance ceiling to top hook is 108 mm)
- Min distance from right wall, 283mm.
- Min distance from left wall, 344mm.



- Min distance between two 500-1A is 600 mm if mounted on same height

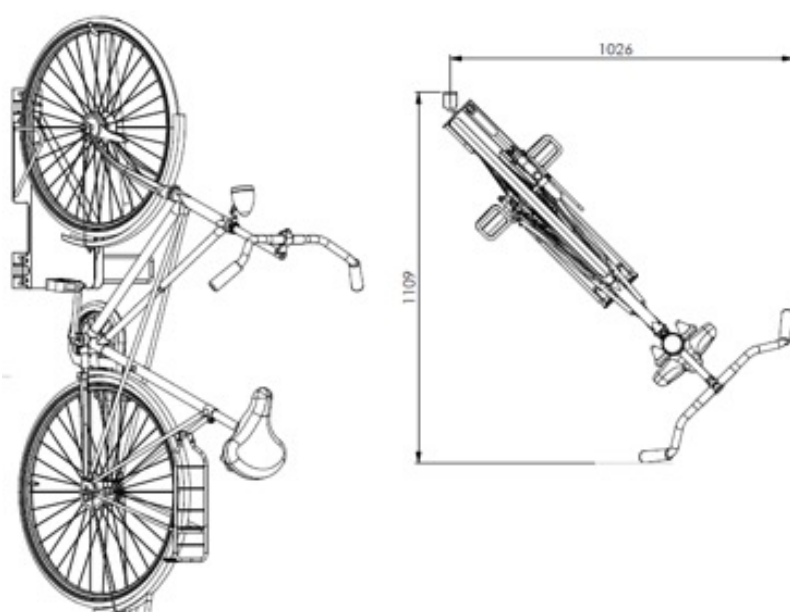
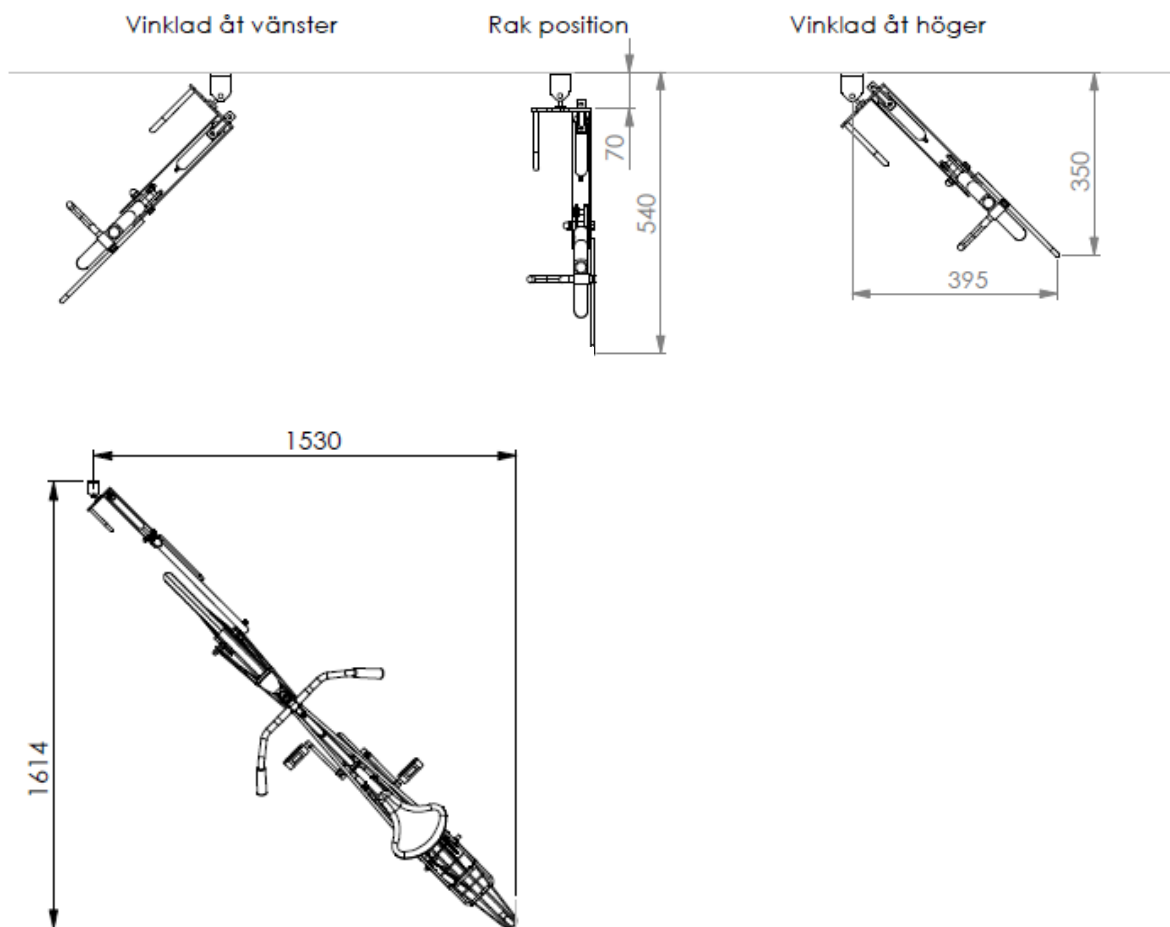


- Min. width of room with one bike 3000 mm
- Min. width of room with two bikes on opposite walls 4000 mm



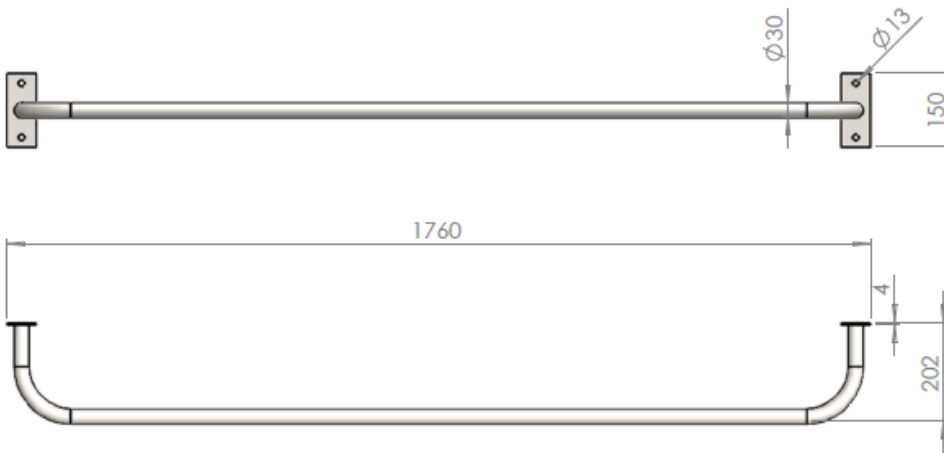
Can also be mounted with hinges

- Min. distance from wall 1530mm (which it is angled towards).



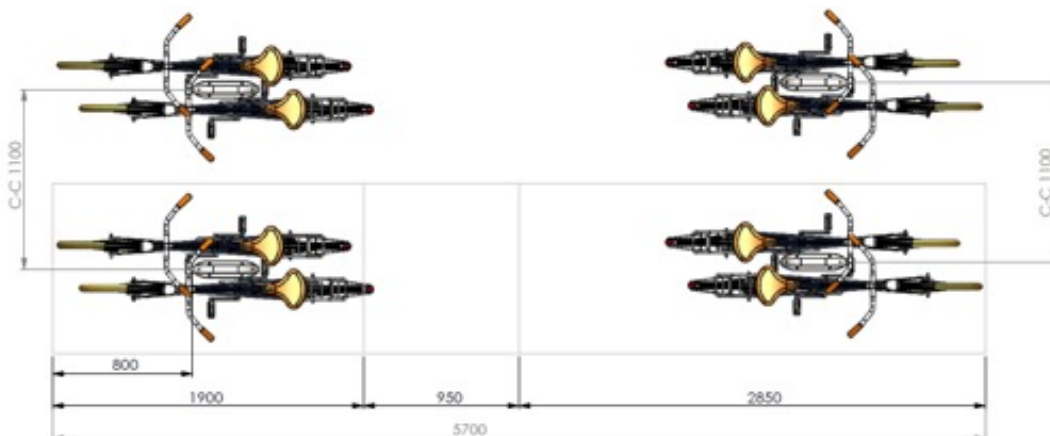
Lock Rail

- The recommended distance from the floor, 900 mm

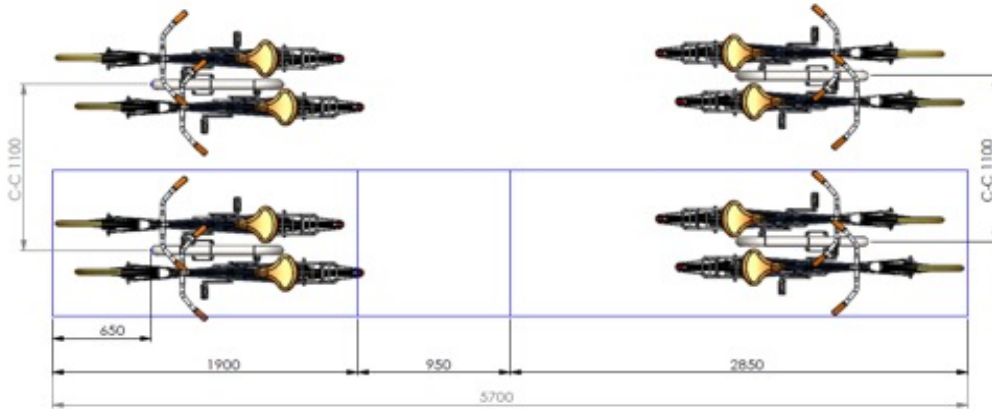


Nimbus Large/Small

- Min distance between two Nimbus is 1100 mm
- Min. distance from front wall 800mm.
- Min distance from side wall is 450mm
- Min. width of room with one bike 3800 mm
- Min. width of room with two bikes on opposite walls 5700 mm



- Min distance between two Nimbus is 1100 mm
- Min. distance from front wall 650mm.
- Min distance from side wall is 450mm
- Min. width of room with one bike 3800 mm
- Min. width of room with two bikes on opposite walls 5700 mm



Bull Hanger

- Recommended distance from the floor, 900 mm to bottom hole
- Min distance between two Bull Hanger is 1900 mm
- Min distance from side wall is 1000mm

