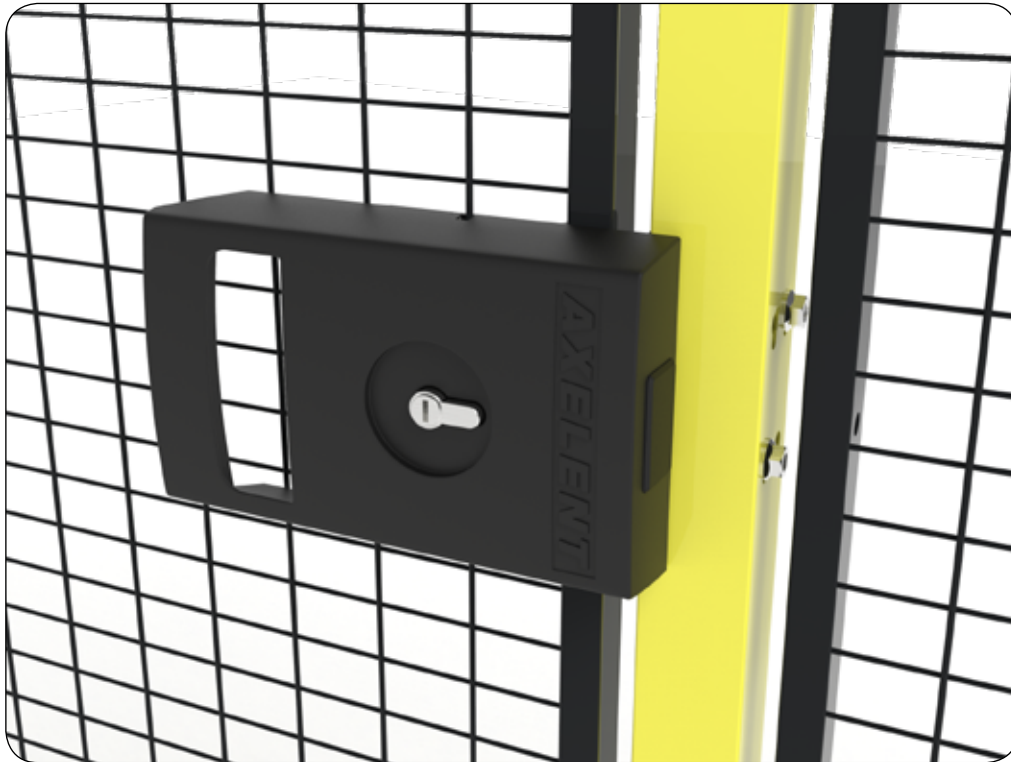


# Axelent Product information

## » Axelent X-It



## Axelent X-It

Axelent X-It is a keyed cylinder lock designed primarily for all our modular mesh panel systems for machine guarding, industrial/warehouse. Thanks to the unique construction and its simple assembly, the lock can also be used for similar third party products/systems available on the market.

The lock is a unique design that requires no additional lock housing, just add a standard cylinder such as Euro. The lock is robust with a cover in metal to withstand tough conditions, and is tested and approved according to SS-EN 12209:2016. X-It fits for both hinge or sliding doors.

The lock can also be combined with a mechanical panic / emergency unit. The product is patent pending.

### X-It

- Robust construction
- Unique locking function
- Convenient
- Flexible, fits for both hinge or sliding door
- Ordered in right or left execution
- Simple assembly
- Tested and approved according to SS-EN 12209:2016
- Extended functions possible
- Certified product
- Supplied in a specially designed box
- The lock is patent pending
- Possibility to block closure with padlock for service and maintenance (Lockout/Tagout)

# Axellent Product information

## » Axellent X-It

### Technical data X-Guard

Art.no.	Description
XIT-L01-101	Cylinder lock X-It, left, hinge door, X-Guard
XIT-L01-301	Cylinder lock X-It, left, single sliding door, X-Guard
XIT-L01-401	Cylinder lock X-It, left, sliding door with centrelock, X-Guard
XIT-R01-101	Cylinder lock X-It, right, hinge door, X-Guard
XIT-R01-301	Cylinder lock X-It, right, single sliding door, X-Guard
XIT-R01-401	Cylinder lock X-It, right, sliding door with centrelock , X-Guard
XIT-L02-101	Cylinder lock X-It with panic function, hinge door, X-Guard
XIT-L02-301	Cylinder lock X-It with panic function, left, sliding door, X-Guard
XIT-L02-401	Cylinder lock X-It with panic function, LH, sliding door center lock, X-Guard
XIT-R02-101	Cylinder lock X-It with panic function, right, hinge door, X-Guard
XIT-R02-301	Cylinder lock X-It with panic function, right, sliding door, X-Guard
XIT-R02-401	Cylinder lock X-It with panic function, RH, sliding door center lock, X-Guard

### Technical data X-Store

Art.no.	Description
XIT-L01-102	Cylinder lock X-It, left, single hinge door, X-Store
XIT-L01-202	Cylinder lock X-It, left, double hinge door, X-Store
XIT-L01-302	Cylinder lock X-It, left, single sliding door, X-Store
XIT-L01-402	Cylinder lock X-It, left, sliding door with centrelock, X-Store
XIT-R01-102	Cylinder lock X-It, right, single hinge door, X-Store
XIT-R01-202	Cylinder lock X-It, right, double hinge door, X-Store
XIT-R01-302	Cylinder lock X-It, right, single sliding door, X-Store
XIT-R01-402	Cylinder lock X-It, right, sliding door with centrelock, X-Store



Hinge door, right



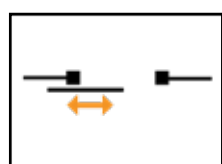
Hinge door, left



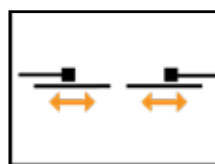
Double hinge door  
left/right



Sliding door, right



Sliding door, left

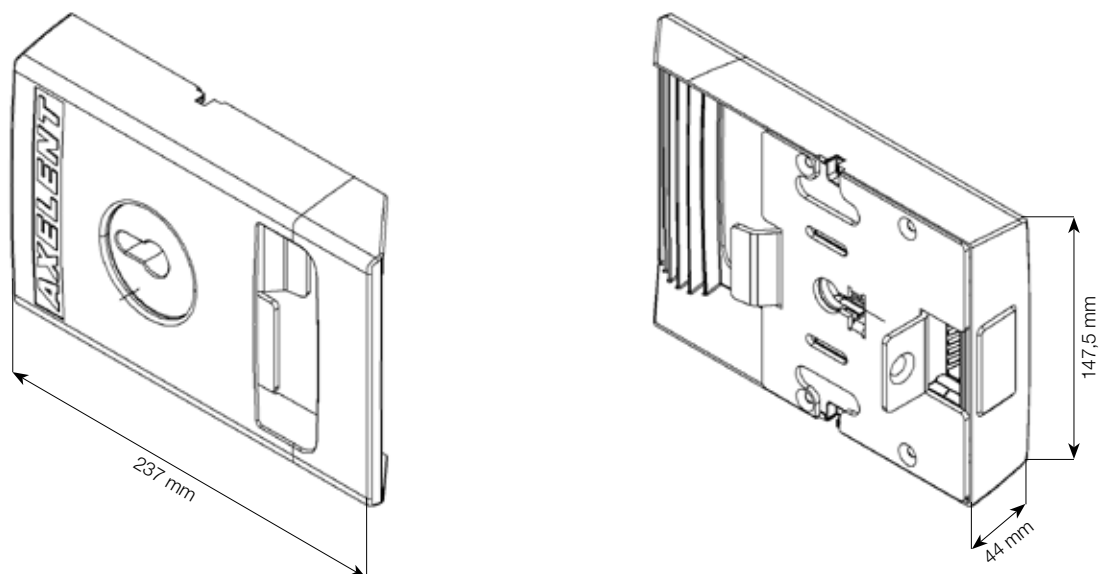


Sliding door with  
centrelock, left/right

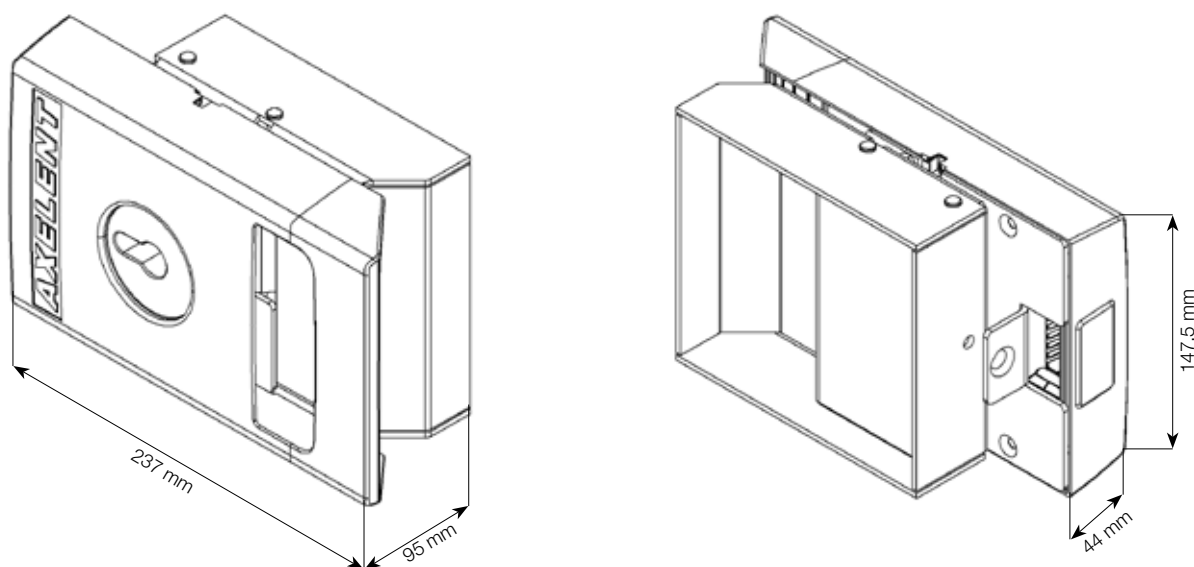
# Axelent Product information

## » Axelent X-It

### Axelent X-It Cylinder



### Axelent X-It Cylinder with panicfunction



### Axelent X-It Eurocylinder Whole (Both sides) / Half (One side)

