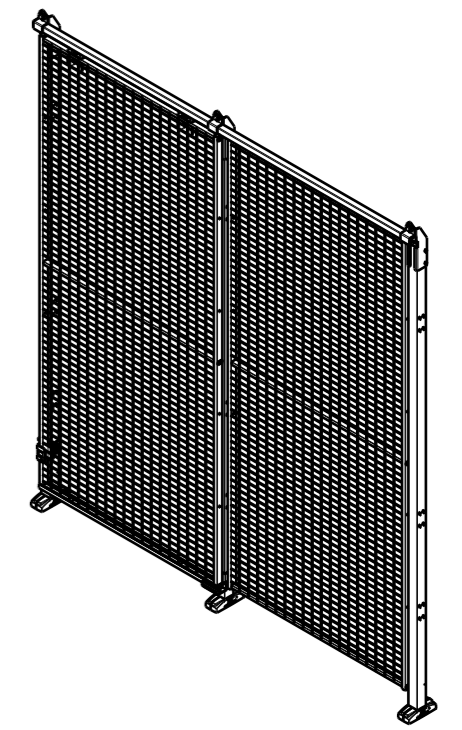
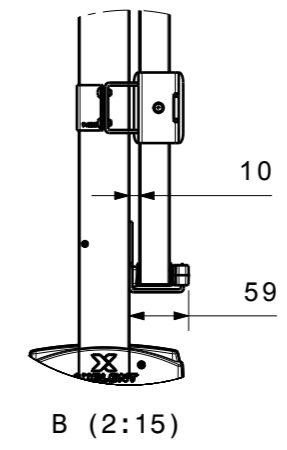
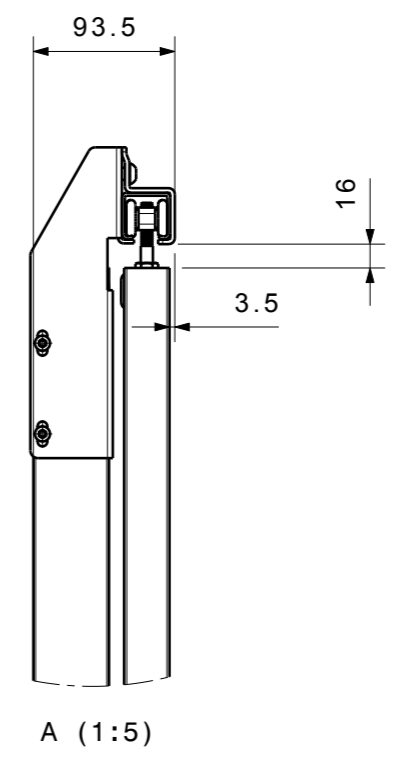
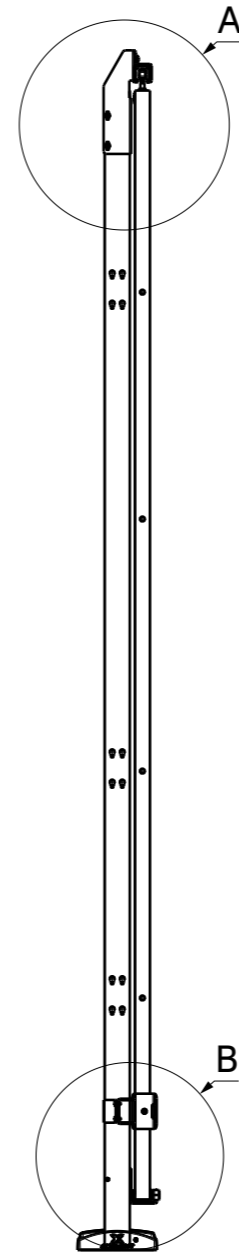
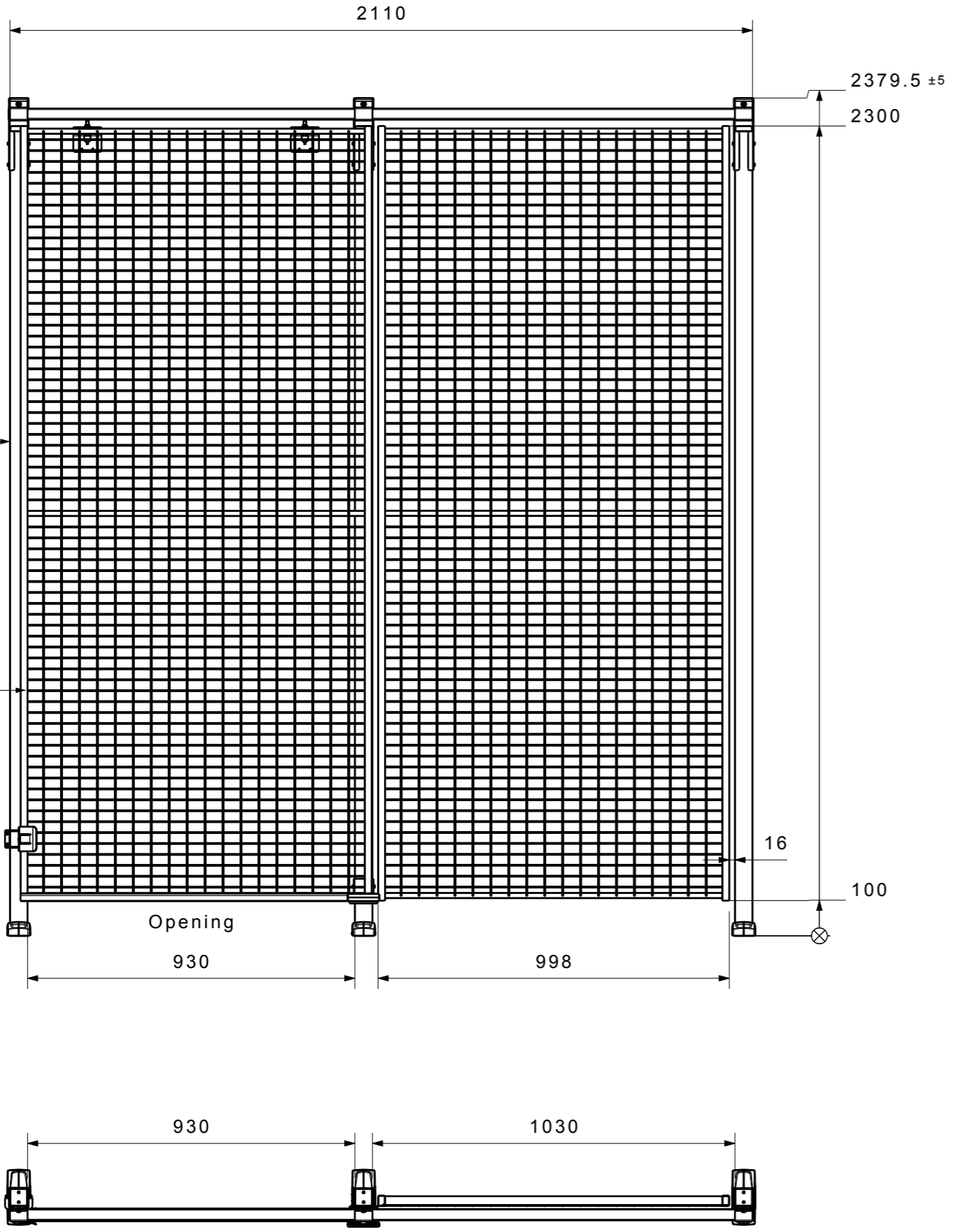


H G F E D C B A

4  
3  
2  
1



Item No.	Name	Quantity
1	322-220100	2
2	P11-230	3

	Title <b>D20-XXX100A</b>		Scale	Rev.	Date
			1:15	--A	4/3/2013

H G B A